

Eco Care Grab rail,
with shower head holder

Article number: 1465348019

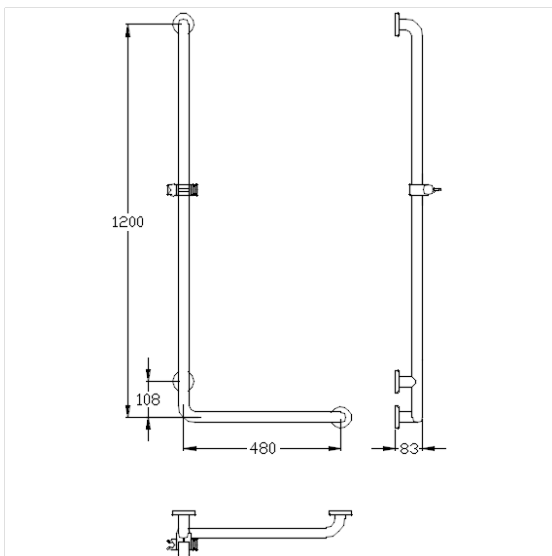
Product image



Technical specifications

Product group	3700
Product	Grab rail, with shower head holder
Axle dimension a1	480 mm
Axle dimension a3	1200 mm
Fixing points	3 Piece
Diameter	32 mm
Material	stainless steel, material No. 1.4301 (A2, AISI 304), Shower head holder made of polyamide
Surface	scratch-resistant powder coating with antibacterial protection
Colour	White (019)
Version	left
Loading	max. 175 kgs

Technical drawing



Product description

- Eco Care as solid and low-cost Care Solution
- Shower head holder with easy adjustment to any height and angle, self-adjusting clamp maintenance-free
- with long operating lever and multi-purpose side hook
- Shower head holder suitable for various hand shower types



Antibac



019