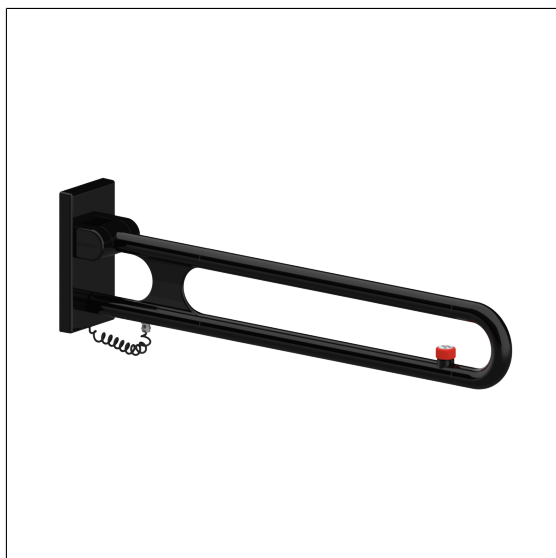


Care Solutions

Nylon Care Lift-up support rail vario,
with 1 E-button

Article number: 3500886016

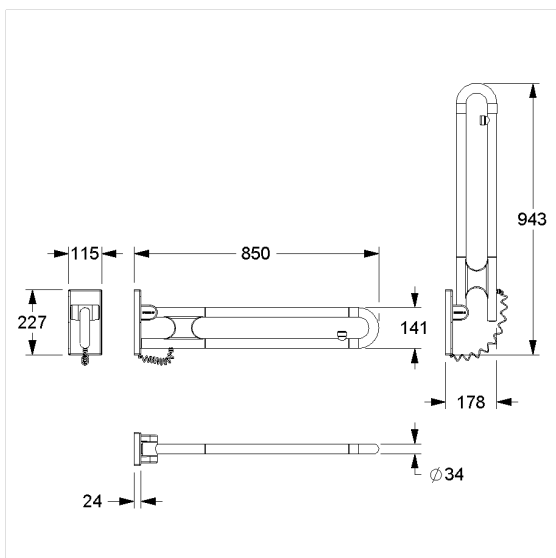
Product image



Technical specifications

| | |
|----------------------------------|--|
| Product group | 3800 |
| Product | Lift-up support rail, with 1 E-button |
| wall connection E-Button | connection covered with mounting plate |
| Function of electric buttoncall: | NOC |
| System | vario, with base plate |
| Length | 850 mm |
| Diameter | 34 mm |
| Material | polyamide, base plate, made of stainless steel |
| Surface | high gloss |
| Colour | available in nylon colours |
| Version | left and right |
| Loading | max. 100 kgs |

Technical drawing



Product description

- Nylon Care - a well-trying and proven product family with a wide range of variants, three product series suiting many different requirements
- with adjustable brake
- with durable maintenance-free, friction bearings
- with non-corrosive steel core throughout
- 1 E-Button / 2 E-Buttons
for WC-flush in blue,
for call in red,
for free definable options in black,
four lead 0,25 mm² dia. black helix cable suitable for up to 24 V D.C., and free cable end for wall fastening, E-Button standard configuration »normally open contact« also available in configuration »normally closed contact«
- easy installation or removing by connecting / disconnecting to base plate
- concealed screw fixing
- In case of lightweight partition walls a backfill made of min. 20mm hardwood is needed
- certified by TÜV PRODUCT SERVICE
- produced in accordance with Regulation (EU) 2017/745 on medical devices
- CE-certified
- meets the requirements of German standard DIN 18040 and Austrian standard ÖNORM B 1600
- Fixing set has to be determined according to conditions on site, is to be ordered separately



Vario

