

Inox Care Waste bin

Article number: 2070500009

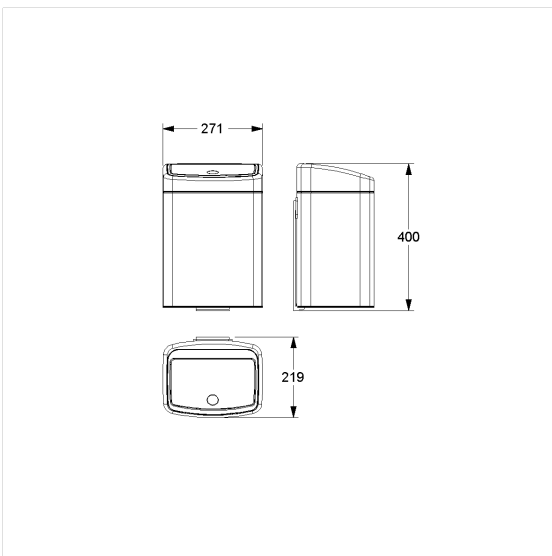
### Product image



### Technical specifications

Product group	5600
Product	Waste bin
Length	272 mm
Width	400 mm
Height	220 mm
Capacity	10 l
Material	stainless steel, material No. 1.4301 (A2, AISI 304). Wall bracket made of plastic
Surface	brushed finish
Colour	Stainless steel (009), Lid black

### Technical drawing



### Product description

- Inox Care as a robust and timeless classic with bacteriostatic properties
- removable plastic bin
- with touch opening system
- Removable for cleaning
- large opening
- concealed screw fixing
- with wall bracket for wall mounting, recommended fixing height to the lower edge of the waste bin is 350mm
- alternatively application free-standing on the floor
- supplied with fixing material



009