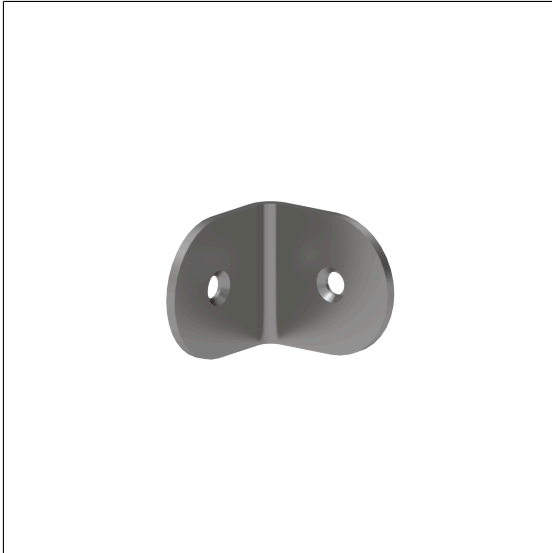


## Care Solutions · Inox Partition solutions

Inox Mounting bracket

Article number: 2289050009

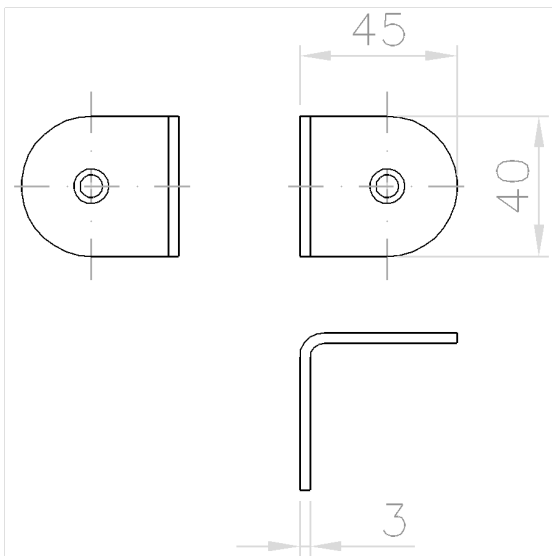
### Product image



### Technical specifications

Product group	6600
Product	Mounting bracket
Short name	NT.BW
Length	45 mm
Width	45 mm
Height	40 mm
Material	stainless steel, material No. 1.4401 (A4, AISI 316)
Surface	brushed finish
Colour	Stainless steel (009)

### Technical drawing



### Product description

- Design partition solutions for doors and partitions made of HPL board material
- For fixing partition wall panels
- Supplied without fixing material



009