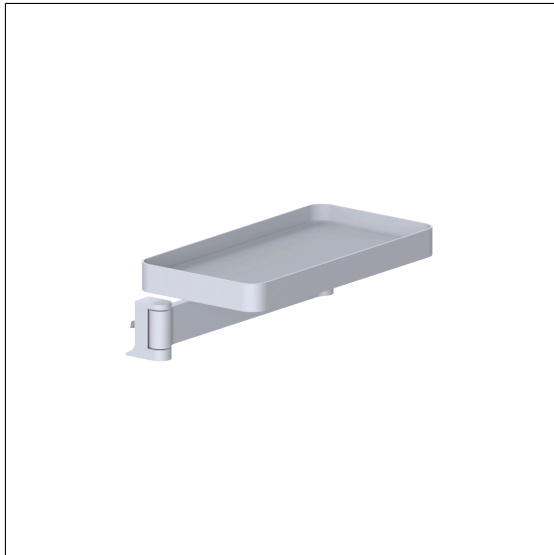


Care Solutions · Cavere Care Accessories

Cavere Care FlexTray

Article number: 7100040092

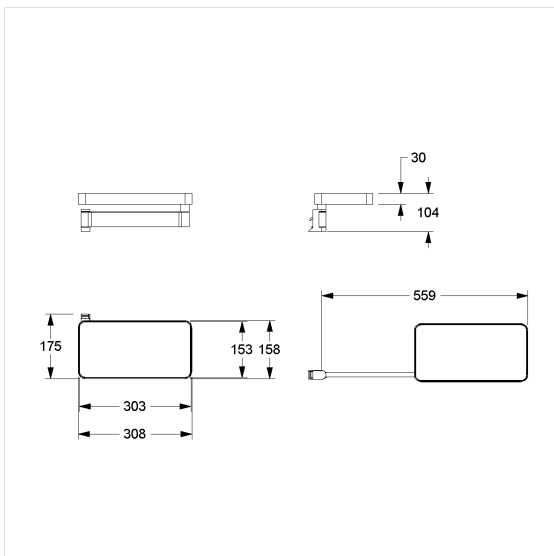
Product image



Technical specifications

Product group	7010
Product	FlexTray
Length	308 mm
Width	158 mm
Height	104 mm
Material	aluminium
Surface	scratch-resistant powder coating with antibacterial protection (except 091 Carbon black)
Colour	available in Cavere colours
Version	left
Loading	max. 4 kgs

Technical drawing



Product description

- Cavere FlexCare as modular rail system for accessories
- for hanging in Cavere FlexRail
- tray and swivel arm, underneath with a radius of 600mm
- flexible swivel radius of up to 180 degrees
- tray with anti-slip silicone insert in following colours to suit the selected Cavere Care Colours:
 - 092 - Transparent
 - 093 - Transparent
 - 096 - Grey
 - 095 - Grey
 - 091 - Grey
- concealed fixing of the FlexTray due to the screw supplied
- can be mounted at a later stage to the wall with Cavere Flex wall bracket 7100025



Antibac

