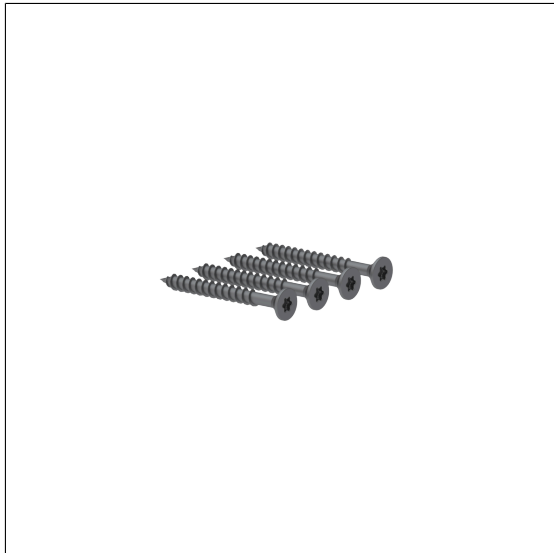


Care Solutions

Care Fixing set,
for fixing in front of the wall with panels and lightweight
partition walls (with backfill)

Article number: 7470010000

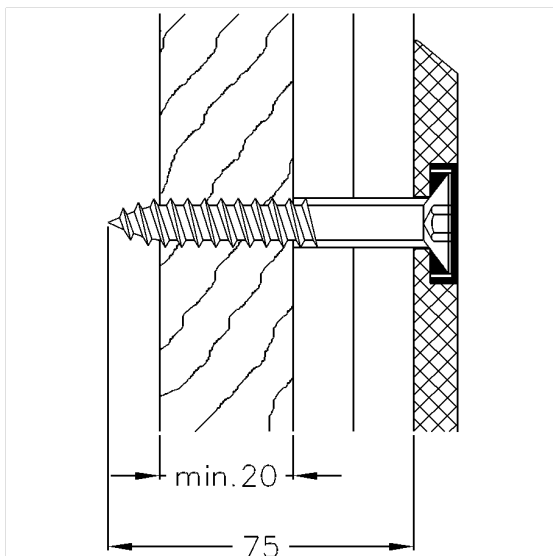
Product image



Technical specifications

Product group	7000
Product	Fixing set, for fixing in front of the wall with panels and lightweight partition walls (with backfill)
Type of wall	In front of the wall with panels and integrated mounting plate made of hardwood. Lightweight partition walls, made of gypsum, flake board and hardboard with a multilayer laminated wood back lining measuring at least 20mm thick, which must be adequately fixed to the supporting structure.
Material & scope of delivery	4 x countersunk wood screws Ø 10 x 90 T40, A2-AISI 304
Colour	Colourless (000)

Technical drawing



Product description

- suitable for:
 - Cavere Care and Cavere Care: wall-/lift-up support rails, base plate with cover plate blind, lift-up shower seat, shower guard rail and Backrest for for Lift-up support rails with E-Button, connection by cover plate blind
 - Inox Care wall-/lift-up support rails, base plate with cover plate blind and shower guard rail
 - Verso Care and Verso Care Duo wall-/lift-up support rails, base plate with cover plate blind
 - Verso Care shower guard rail
 - Ascento: Modular Seating Solution
- installation has to be carried out by professionals



000