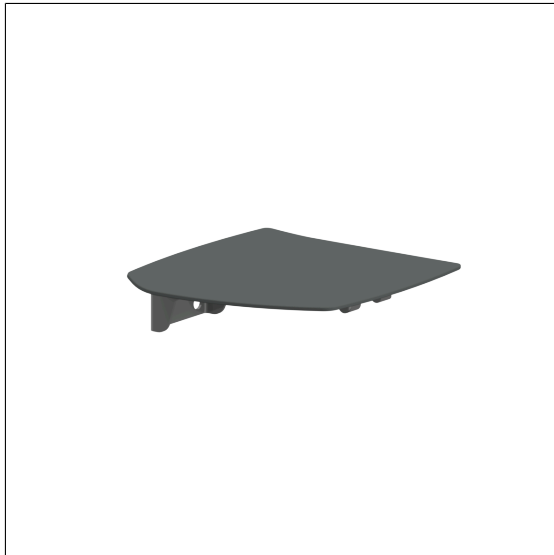


Care Solutions · Verso Care

Verso Care Lift-up shower seat

Article number: 3500010018

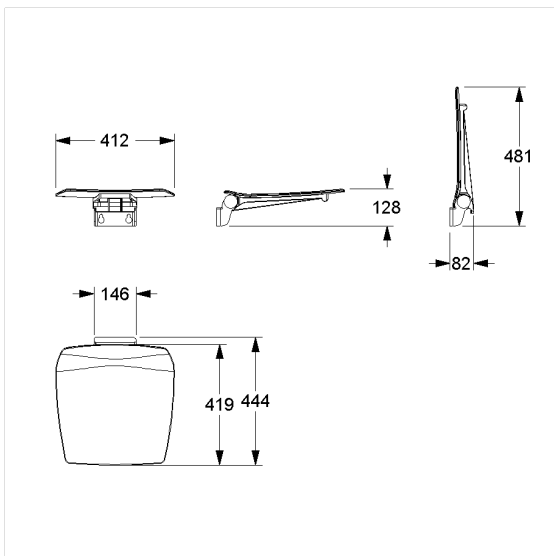
Product image



Technical specifications

| | |
|---------------|---|
| Product group | 3800 |
| Product | Lift-up shower seat |
| Length | 444 mm |
| Height | 128 mm |
| Width | 412 mm |
| Material | Polypropylene, support bracket made of aluminium and wall bracket made of stainless steel |
| Surface | scratch-resistant powder coating |
| Colour | available in Dark grey (018) and White (019) |
| Loading | max. 150 kgs |

Technical drawing



Product description

- Nylon Care - a well-tried and proven product family with a wide range of variants, three product series suiting many different requirements
- ergonomic formed seat with rounded outer edges
- with adjustable brake
- locked in place in vertical position
- In case of lightweight partition walls a backfill made of min. 30mm hardwood is needed
- Fixing set has to be determined according to conditions on site, is to be ordered separately

