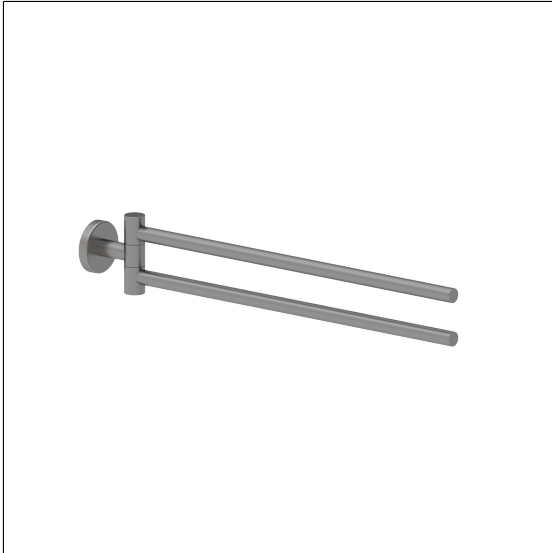


Care Solutions · Inox Care Accessories

Inox Care Towel holder,
swivelling

Article number: 2290285009

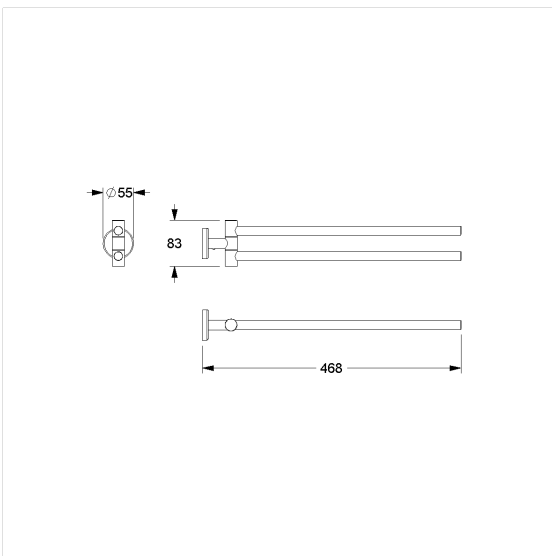
Product image



Technical specifications

Product group	5600
Product	Towel holder, swivelling
Length	470 mm
Width	55 mm
Height	85 mm
Material	stainless steel, material No. 1.4301 (A2, AISI 304)
Surface	brushed finish
Colour	Stainless steel (009)

Technical drawing



Product description

- Inox Care as a robust and timeless classic with bacteriostatic properties
- towel holder with two bars
- Towel rails to be swivelled independently
- for hanging towels
- for wall mounting
- with stainless steel roses \varnothing 55mm for concealed screw fixing
- supplied with fixing material



009