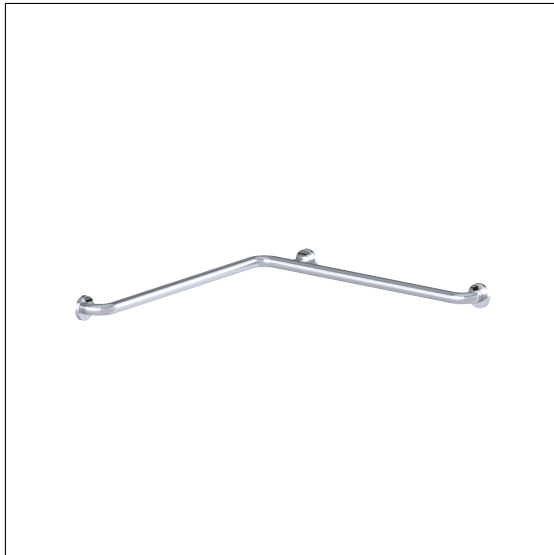


Inox Care Shower handrail

Article number: 2058010008

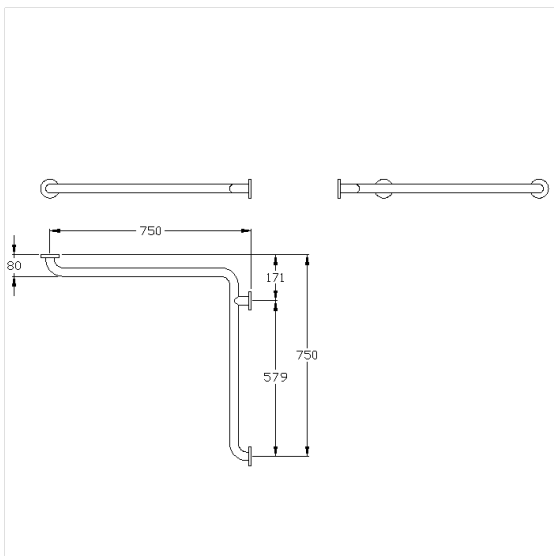
Product image



Technical specifications

Product group	5500
Product	Shower handrail
Angle	90 °
Axle dimension a1	750 mm
Axle dimension a2	750 mm
Fixing type	rosettes mounting
Fixing points	3 Piece
Diameter	32 mm
Material	stainless steel, material No. 1.4301 (A2, AISI 304)
Surface	high gloss
Colour	available in Mirror polished (008) and Satin (009)
Version	left and right
Loading	max. 175 kgs

Technical drawing



Product description

- Inox Care is a durable and versatile stainless steel range that combines accessibility and hygiene in a modern design
- with Rose Gasket for sealing of the drilling points according to German standard DIN 18534-1
- with stainless steel roses Ø 70mm for concealed screw fixing
- In case of lightweight partition walls a backfill made of min. 20mm hardwood is needed
- produced in accordance with Regulation (EU) 2017/745 on medical devices
- CE-certified
- meets the requirements of German standard DIN 18040 and Austrian standard ÖNORM B 1600
- supplied with stainless steel Torx screw sØ 6 x 70 mm and plugs

