

Care Solutions · Inox Care

Inox Care Wall support rail vario

Article number: 2051050009

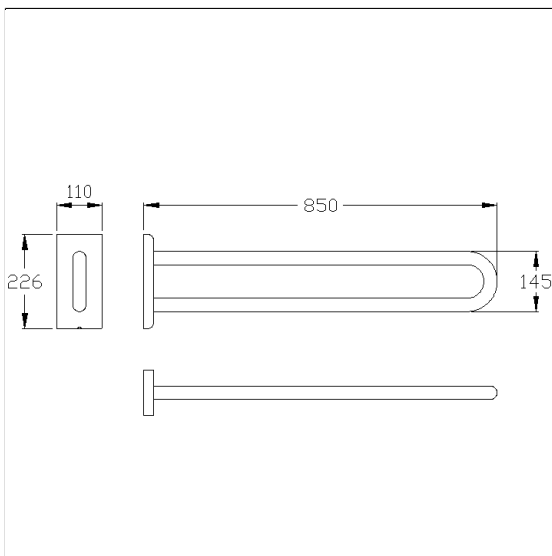
Product image



Technical specifications

Product group	5500
Product	Wall support rail
Length	850 mm
Diameter	32 mm
Material	stainless steel, material No. 1.4301 (A2, AISI 304)
Surface	brushed finish
Colour	Stainless steel (009)
Version	left and right
Loading	max. 125 kgs

Technical drawing



Product description

- Inox Care as a robust and timeless classic with bacteriostatic properties
- easy installation or removing by connecting / disconnecting to base plate
- concealed screw fixing
- retrofittable with toilet roll holder 2050300
- produced in accordance with Regulation (EU) 2017/745 on medical devices
- CE-certified
- meets the requirements of German standard DIN 18040 and Austrian standard ÖNORM B 1600
- Fixing set has to be determined according to conditions on site, is to be ordered separately



Vario



009