

Care Solutions · Cavere Care

Cavere Care Stool,
with hygiene recess

Article number: 7844345095

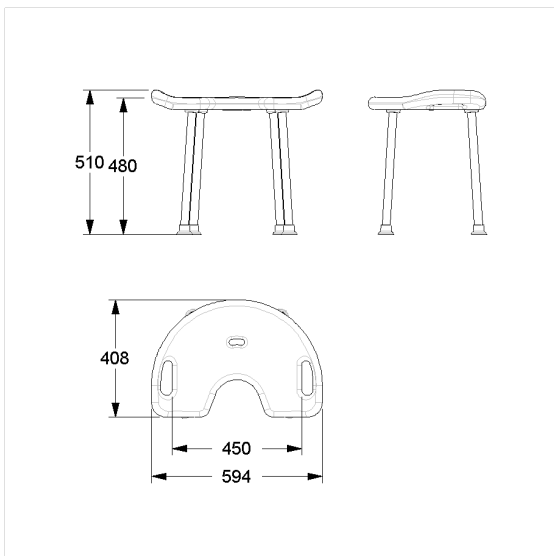
Product image



Technical specifications

Product group	7000
Product	Stool, with hygiene recess
Length	595 mm
Height	510 mm
Width	410 mm
Material	stainless steel, material No. 1.4301 (A2, AISI 304), padded made of PUR integral foam
Surface	scratch-resistant powder coating with antibacterial protection (except 091 Carbon black)
Colour	available in Cavere colours, padded, colour black
Loading	max. 150 kgs

Technical drawing



Product description

- Cavere Care as an award-winning product family with excellent design for all requirements
- with lateral openings for grip
- seat with drain slot
- with non-slip rubber buffers in the same colour of the seat pad



Antibac

