

Care Solutions · Cavere Care

Cavere Care Wall support rail vario

Article number: 7467030095

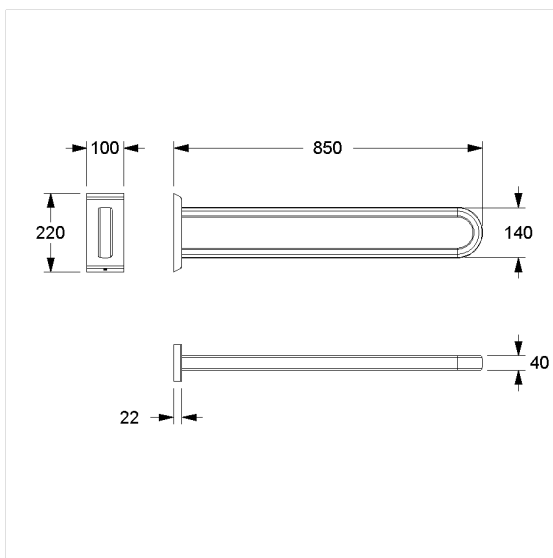
Product image



Technical specifications

| | |
|---------------|--|
| Product group | 7000 |
| Product | Wall support rail |
| Length | 850 mm |
| Material | aluminium |
| Surface | scratch-resistant powder coating with antibacterial protection (except 091 Carbon black) |
| Colour | available in Cavere colours |
| Version | left and right |
| Loading | max. 100 kgs |

Technical drawing



Product description

- Cavere Care as an award-winning product family with excellent design for all requirements
- ergonomic by trigonometric handle contour
- easy installation or removing by connecting / disconnecting to base plate
- concealed screw fixing
- retrofitting with Toilet roll holder 7449110
- CE-certified
- meets the requirements of German standard DIN 18040 and Austrian standard ÖNORM B 1600
- Fixing set has to be determined according to conditions on site, is to be ordered separately



Antibac Vario



091 092 093 095 096