

## Care Solutions · Special Care PSY

Special Care PSY Shower head rail

Article number: 2088310009

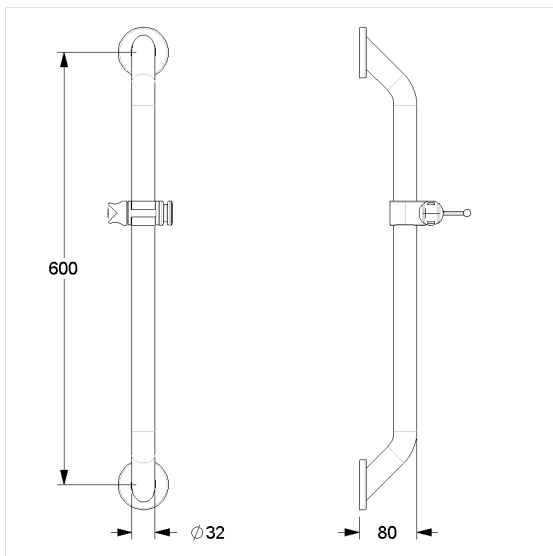
### Product image



### Technical specifications

Product group	2010
Product	Shower head rail
Fixing type	rosettes mounting
Fixing points	2 Piece
Material	stainless steel, material No. 1.4301 (A2, AISI 304), Shower head holder made of polyamide
Surface	brushed finish
Diameter	32 mm
Version	left and right
Colour	Stainless steel (009)

### Technical drawing



### Product description

- Special Care PSY used to reduce the risk of suicide
- Without release function, ending of the upper wall connection does not allow fastening of ropes, cords or similar
- lower wall connection should be at a max. height of 850 mm
- Shower head holder with easy adjustment to any height and angle, self-adjusting clamp maintenance-free
- with long operating handle and multi-purpose side hook
- Shower head holder suitable for various hand shower types
- with stainless steel roses  $\varnothing$  70mm for concealed screw fixing
- In case of lightweight partition walls a backfill made of min. 20mm hardwood is needed
- for the use of rose gaskets 2053601/2053610 geeignet
- supplied with stainless steel Torx screw  $s\varnothing$  6 x 70 mm and plugs



009