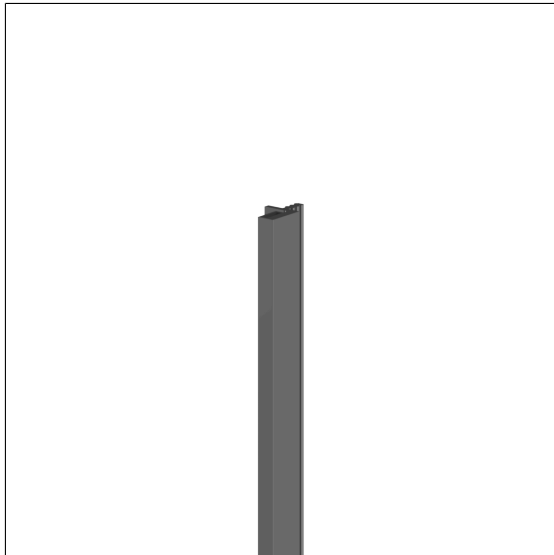


Finger protection strip

Article number: 0289450016

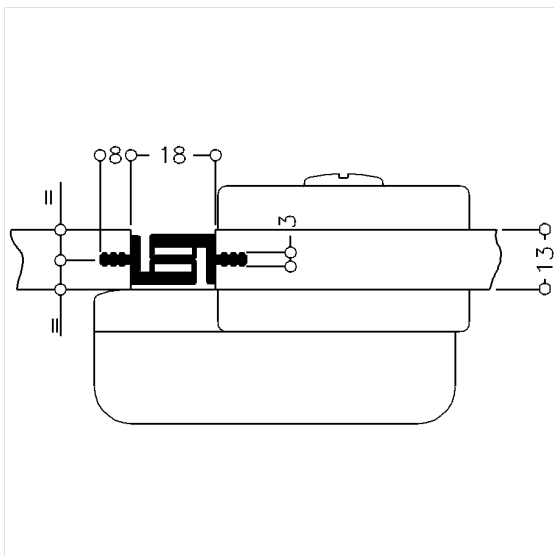
Product image



Technical specifications

Product group	2600
Product	Finger protection strip
Short name	ASP 2050
Length	2050 mm
Width	12 mm
Height	20 mm
Material	Plastic
Colour	available in colours Black (016) and White (019)

Technical drawing



Product description

- Design partition solutions for doors and partitions made of HPL board material
- Finger protection strip enables optimal locking of the door
- are mounted on the hinge side of the door or panel
- two finger protection strips are required for mounting
- can be shortened (length)
- are extruded from a hard and soft plastic in a special process, the hard area is used to fit into the face grooved panel and the soft area is used for noise damping and clamping protection, the groove requires 3 mm in width and 8 mm in depth
- self-adhesive, are hammered into the existing groove

