

Care Solutions · Eco Care

Eco Care Lift-up support rail

Article number: 1447280019

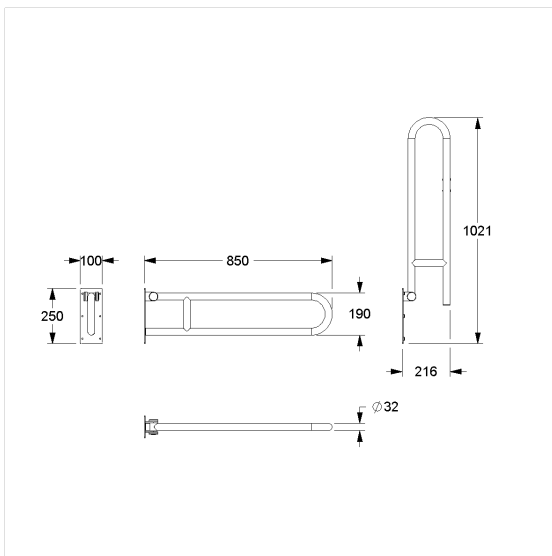
Product image



Technical specifications

Product group	3700
Product	Lift-up support rail
Length	850 mm
Diameter	32 mm
Material	Stainless steel
Surface	scratch-resistant powder coating with antibacterial protection
Colour	White (019)
Version	left and right
Loading	max. 100 kgs

Technical drawing



Product description

- Eco Care as solid and low-cost Care Solution
- with adjustable brake
- with two caps for concealed screw fixing
- In case of lightweight partition walls a backfill made of min. 20mm hardwood is needed
- retrofittable with toilet roll holder 1449210
- retrofittable with floor support 1449220 / 1449221 / 1449222, required for Lift-up support rails from length 850 mm
- load capacity: max. 100kgs according to ISO17966:2016, statically tested up to 150kgs



Antibac



019