

Eco Care Lift-up support rail

Article number: 1447280019

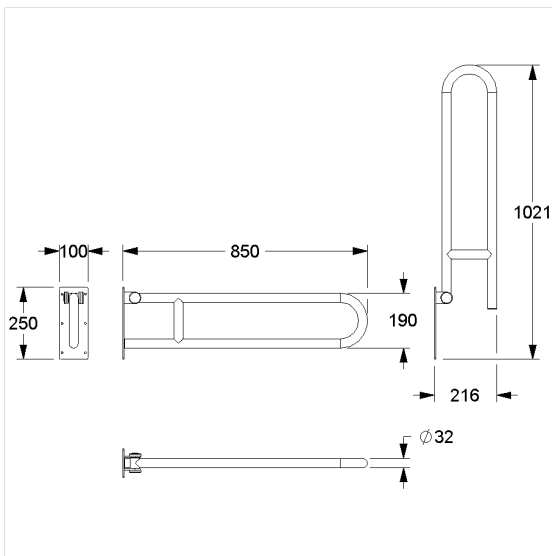
### Product image



### Technical specifications

Product group	3700
Product	Lift-up support rail
Length	850 mm
Diameter	32 mm
Material	Stainless steel
Surface	scratch-resistant powder coating with antibacterial protection
Colour	White (019)
Version	left and right
Loading	max. 100 kgs

### Technical drawing



### Product description

- Eco Care as solid and low-cost Care Solution
- with adjustable brake
- with two caps for concealed screw fixing
- In case of lightweight partition walls a backfill made of min. 20mm hardwood is needed
- retrofitting with Toilet roll holder 1449210
- retrofitting with floor support 1449220 / 1449221 / 1449222, required for Lift-up support rails from length 850 mm



Antibac



019