

Care Solutions · Inox Partition solutions

Inox Wall connector

Article number: 2290150009

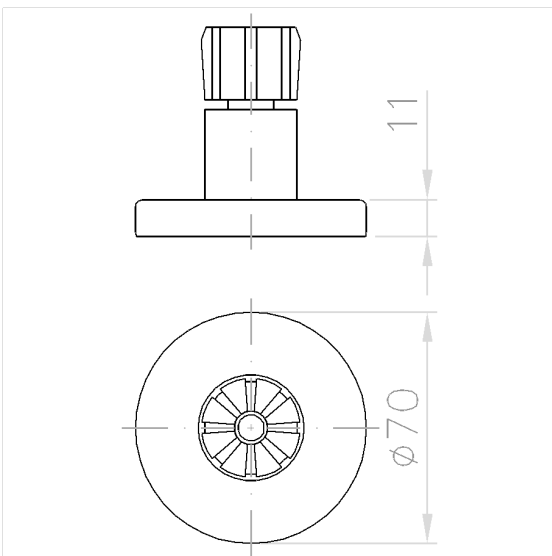
Product image



Technical specifications

Product group	6600
Product	Wall connector
Short name	NT.WA
Length	70 mm
Width	70 mm
Height	65 mm
Material	stainless steel, material No. 1.4401 (A4, AISI 316)
Surface	brushed finish
Colour	Stainless steel (009)

Technical drawing



Product description

- Design partition solutions for doors and partitions made of HPL board material
- Single part for upper belt
- For fixing of upper framework on the wall
- Consisting of clamping bush, rosette base with stainless steel washer, countersunk screw M10 x 60 mm and cover rosette
- for wall mounting screws $\varnothing 6 \times 70$ mm and dowels $\varnothing 8$ mm are recommended



009