

## Care Solutions · Cavere Care Accessories

Cavere Care Toilet roll holder,  
for Grab rails, retrofittable

Article number: 7449120093

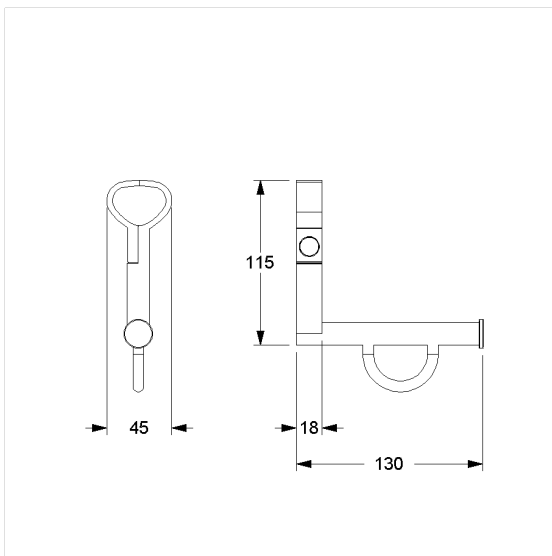
### Product image



### Technical specifications

Product group	7000
Product	Toilet roll holder, for Grab rails, retrofittable
Length	130 mm
Width	48 mm
Height	115 mm
Material	aluminium
Surface	scratch-resistant powder coating with antibacterial protection (except 091 Carbon black)
Colour	available in Cavere colours

### Technical drawing



### Product description

- Cavere Care as an award-winning product family with excellent design for all requirements
- for Cavere Care Grab rails
- for take on commercially available paper rolls
- with maintenance-free roll brake
- supplied with fixing material



Antibac

