

## Care Solutions · Eco Care

Eco Care Shower handrail,  
with shower head rail

Article number: 1485350019

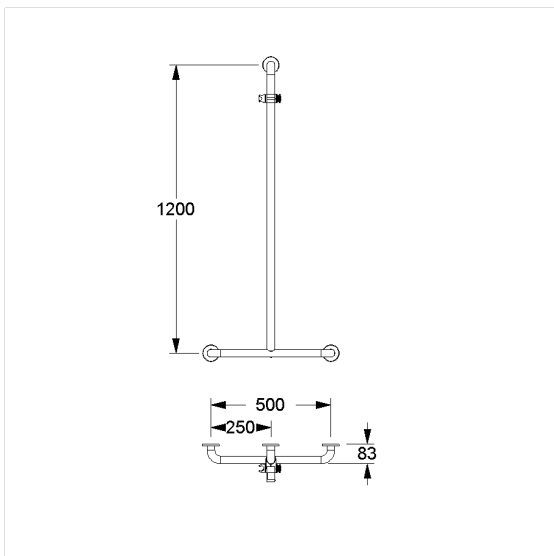
### Product image



### Technical specifications

Product group	3700
Product	Shower handrail, with shower head rail
Axle dimension a1	500 mm
Axle dimension a3	1200 mm
Fixing type	rosettes mounting
Fixing points	3 Piece
Diameter	32 mm
Material	stainless steel, material No. 1.4301 (A2, AISI 304), Shower head holder made of polyamide
Surface	scratch-resistant powder coating with antibacterial protection
Colour	White (019)
Version	left and right
Loading	max. 175 kgs

### Technical drawing



### Product description

- Eco Care as solid and low-cost Care Solution
- Shower head holder with easy adjustment to any height and angle, self-adjusting clamp maintenance-free
- with long operating lever and multi-purpose side hook
- Shower head holder suitable for various hand shower types
- with plastic rose Ø 70mm for concealed screw fixing and glass fiber reinforced plastic base
- In case of lightweight partition walls a backfill made of min. 20mm hardwood is needed
- for the use of rose gaskets 2053601/2053610 geeignet
- supplied with stainless steel Torx screw sØ 6 x 70 mm and plugs



Antibac



019