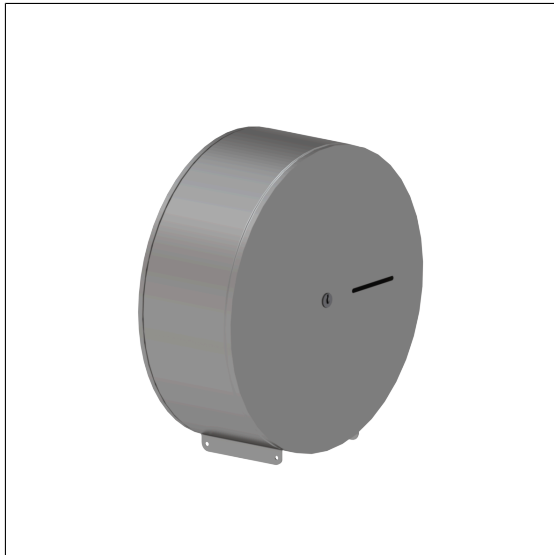


## Care Solutions · Inox Care Accessories

Inox Care Toilet paper dispenser

Article number: 2290046009

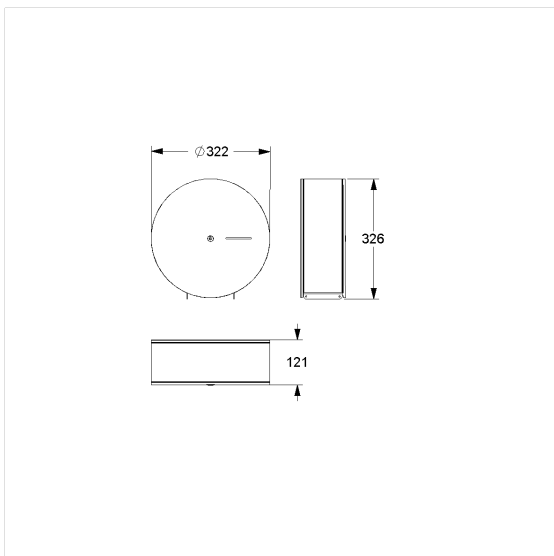
### Product image



### Technical specifications

Product group	5600
Product	Toilet paper dispenser
Length	320 mm
Width	125 mm
Height	320 mm
Material	stainless steel, material No. 1.4401 (A4, AISI 316)
Surface	brushed finish
Colour	Stainless steel (009)

### Technical drawing



### Product description

- Inox Care as a robust and timeless classic with bacteriostatic properties
- with maintenance-free roll brake
- corrosion and acid resistant
- with indication of toilet paper stock
- keys inclusive
- for take on toilet paper rolls with a max. Ø 30 cm
- lockable "One Key System" (one single key for all toilet paper dispensers)
- concealed screw fixing
- for wall mounting



009