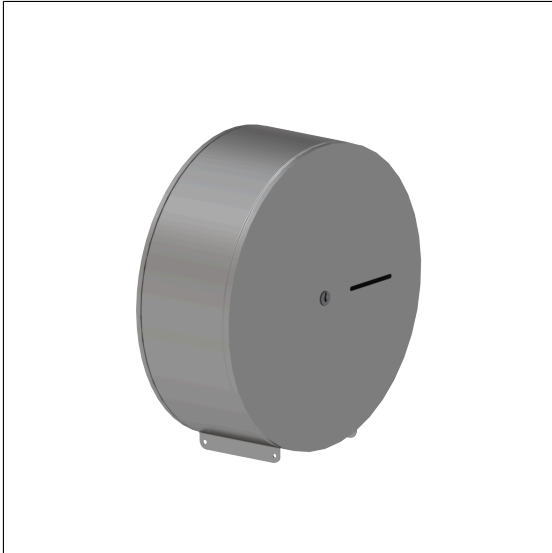


Inox Care Toilet paper dispenser

Article number: 2290046009

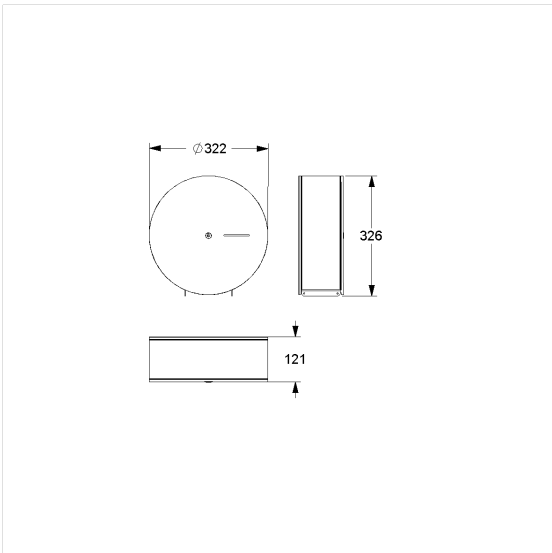
Product image



Technical specifications

Product group	5600
Product	Toilet paper dispenser
Length	320 mm
Width	125 mm
Height	320 mm
Material	stainless steel, material No. 1.4401 (A4, AISI 316)
Surface	brushed finish
Colour	Stainless steel (009)

Technical drawing



Product description

- Inox Care as a robust and timeless classic with bacteriostatic properties
- for take on toilet paper rolls with a max. Ø 30 cm
- with maintenance-free roll brake
- corrosion and acid resistant
- with indication of toilet paper stock
- lockable "One Key System" (one single key for all toilet paper dispensers)
- keys inclusive
- concealed screw fixing
- for wall mounting



009