

Care Solutions · Cavere Care

Cavere Care Lift-up support rail vario,
with 2 E-buttons

Article number: 7447575091

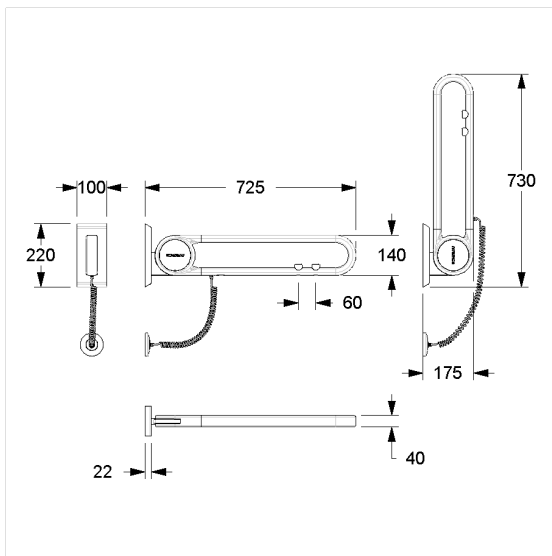
Product image



Technical specifications

Product group	7000
Product	Lift-up support rail, with 2 E-buttons
wall connection E-Button	connection covered with rose
Function of electric button	WC and call: NOC and NCC
System	vario, without base plate
Length	725 mm
Material	aluminium
Surface	scratch-resistant powder coating with antibacterial protection (except 091 Carbon black)
Colour	available in Cavere colours
Version	left and right
Loading	max. 100 kgs

Technical drawing



Product description

- Cavere Care as an award-winning product family with excellent design for all requirements
- ergonomic by trigonometric handle contour
- with adjustable brake
- with durable maintenance-free, friction bearings
- 1 E-Button / 2 E-Buttons
for WC-flush in blue,
for call in red,
for free definable options in black,
four lead 0,25 mm² dia. black helix cable suitable for up to 24 V D.C., and free cable end for wall fastening, E-Button standard configuration »normally open contact« also available in configuration »normally closed contact«
- easy installation or removing by connecting / disconnecting to existing base plate
- concealed screw fixing
- In case of lightweight partition walls a backfill made of min. 20mm hardwood is needed
- retrofitting with Toilet roll holder 7449110
- certified by TÜV PRODUCT SERVICE
- CE-certified
- meets the requirements of German standard DIN 18040 and Austrian standard ÖNORM B 1600
- Fixing set has to be determined according to conditions on site, is to be ordered separately



Vario

