

Care Solutions

Care Fixing set,
for fixing on brickwork made of perforated brick (without
injectionscartridge)

Article number: 0447980000

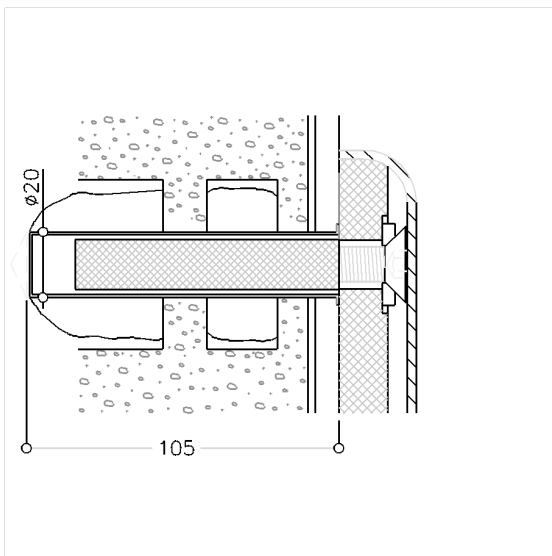
Product image



Technical specifications

Product group	2000
Product	Fixing set, for fixing on brickwork made of perforated brick (without injectionscartridge)
Short name	MS 4.9 H 3
Type of wall	On brickwork made of perforated brick: perforated brick HLz ≥ 12, cavity brick KSL ≥ 12, checker brick ≥ Hbl4, Hbn4 other hollow brick materials concrete/ lightweight concrete, solid brick ≥ Mz12 sand-lime brick ≥ KS12, natural stone with compact grain solid pumice
Material & scope of delivery	3 x countersunk screw M10 x 30, A4-AISI 316 3 x sieve sleeve Ø 20 x 100 3x female threaded steel sleeves Ø 15 x 75 / M10
Colour	Colourless (000)

Technical drawing



Product description

- suitable for:
Nylon Care 300 wall-/lift-up support rail, Mounting plate for lift-up shower seat and shower guard rail
Nylon Care 400 wall-/lift-up support rail and Mounting plate for lift-up shower seat
Special Care Adipositas: lift-up support rail
- installation has to be carried out by professionals
- the fixing set are allowed by building inspector

