

## Care Solutions

Care Fixing set,  
without injections cartridge

Article number: 0447980000

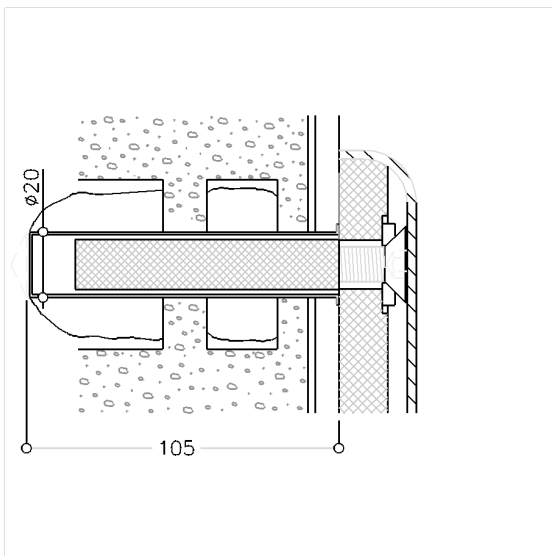
### Product image



### Technical specifications

Product group	2000
Product	Fixing set, without injections cartridge
Short name	MS 4.9 H 3
Material	polyamide
Type of wall	On brickwork made of perforated brick: perforated brick HLz $\geq$ 12, cavity brick KSL $\geq$ 12, checker brick $\geq$ Hbl4, Hbn4 other hollow brick materials concrete/ lightweight concrete, solid brick $\geq$ Mz12 sand-lime brick $\geq$ KS12, natural stone with compact grain solid pumice
Material & scope of delivery	3 x countersunk screw M10 x 30, A4-AISI 316 3 x sieve sleeve $\varnothing$ 20 x 100 3x female threaded steel sleeves $\varnothing$ 15 x 75 / M10
Colour	Colourless (000)

### Technical drawing



### Product description

- suitable for:
  - Nylon Care 300 wall-/lift-up support rail, Mounting plate for lift-up shower seat and shower guard rail
  - Nylon Care 400 wall-/lift-up support rail, shower guard rail and Mounting plate for lift-up shower seat
  - Special Care Adipositas: lift-up support rail
- installation has to be carried out by professionals
- the fixing set are allowed by building inspector



000