

Care Solutions - Verso Care Duo

Verso Care Duo Grab rail,
with shower head holder

Article number: 3500252912

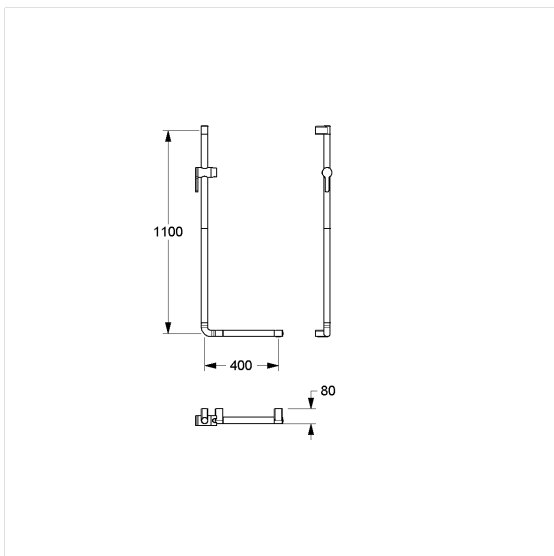
Product image



Technical specifications

Product group	3800
Product	Grab rail, with shower head holder
Angle	90 °
Axle dimension a1	400 mm
Axle dimension a3	1100 mm
Fixing type	single-point mounting
Fixing points	3 Piece
Diameter	34 mm
Material	polyamide
Surface	high gloss
Colour	Red-White (912)
Version	left
Loading	max. 175 kgs

Technical drawing



Product description

- Verso Care Duo facilitates orientation thanks to the high-contrast color combination
- with non-corrosive steel core throughout
- Shower head holder with easy adjustment to any height and angle, self-adjusting clamp maintenance-free
- side-mounted operating handle for one-handed operation by turning
- Shower head holder suitable for various hand shower types
- with sealing elements for sealing of the drilling points according to German standard DIN 18534-1
- single-point wall attachment with 3mm tolerance compensation (= ffl 1.5mm) for an easy and safe installation,
- concealed screw fixing
- In case of lightweight partition walls a backfill made of min. 30mm hardwood is needed
- produced in accordance with Regulation (EU) 2017/745 on medical devices
- CE-certified
- supplied with stainless steel hexagon head screws $\varnothing 6 \times 100$ mm according to DIN 571 and dowels



912