

## Care Solutions · Cavere Care

Cavere Care Grab rail

Article number: 7464160093

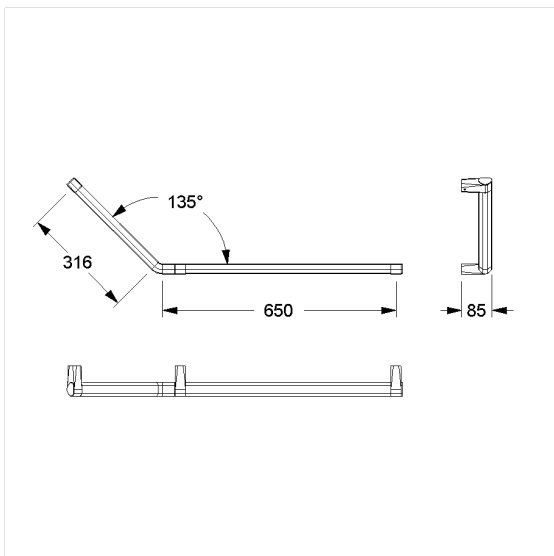
### Product image



### Technical specifications

|                   |  |
|-------------------|--|
| Product group     | 7000   |
| Product           | Grab rail  |
| Axle dimension a1 | 650 mm   |
| Axle dimension a3 | 316 mm   |
| Fixing type       | single-point mounting  |
| Fixing points     | 3 Piece  |
| Material          | aluminium  |
| Surface           | scratch-resistant powder coating with antibacterial protection (except 091 Carbon black) |
| Colour            | available in Cavere colours  |
| Version           | left   |
| Loading           | max. 100 kgs   |

### Technical drawing



### Product description

- Cavere Care as an award-winning product family with excellent design for all requirements
- ergonomic by trigonometric handle contour
- single-point wall attachment with 3mm tolerance compensation (= ffl 1.5mm) for an easy and safe installation,
- concealed screw fixing
- In case of lightweight partition walls a backfill made of min. 30mm hardwood is needed
- retrofitting with Toilet roll holder 7449120
- CE-certified
- meets the requirements of German standard DIN 18040 and Austrian standard ÖNORM B 1600
- supplied with stainless steel hexagon head screws  $\varnothing 6 \times 100$  mm according to DIN 571 and dowels



Antibac

