

## Care Solutions · Cavere Care

Cavere Care Wall support rail vario

Article number: 7467020091

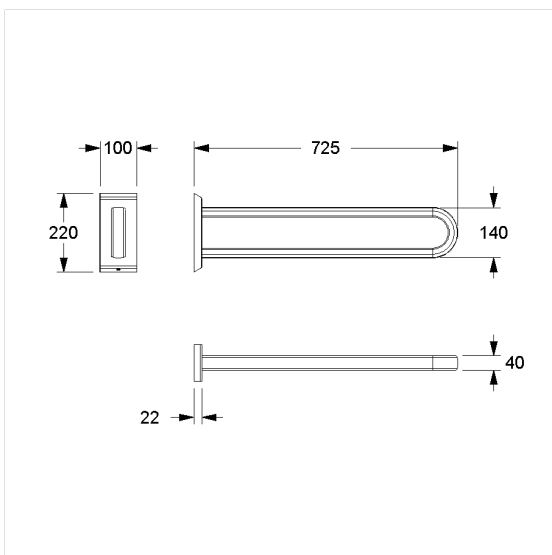
### Product image



### Technical specifications

Product group	7000
Product	Wall support rail
Length	725 mm
Material	aluminium
Surface	scratch-resistant powder coating with antibacterial protection (except 091 Carbon black)
Colour	available in Cavere colours
Version	left and right
Loading	max. 100 kgs

### Technical drawing



### Product description

- Cavere Care as an award-winning product family with excellent design for all requirements
- ergonomic by trigonometric handle contour
- easy installation or removing by connecting / disconnecting to base plate
- concealed screw fixing
- retrofitting with Toilet roll holder 7449110
- CE-certified
- meets the requirements of German standard DIN 18040 and Austrian standard ÖNORM B 1600
- Fixing set has to be determined according to conditions on site, is to be ordered separately



Vario

