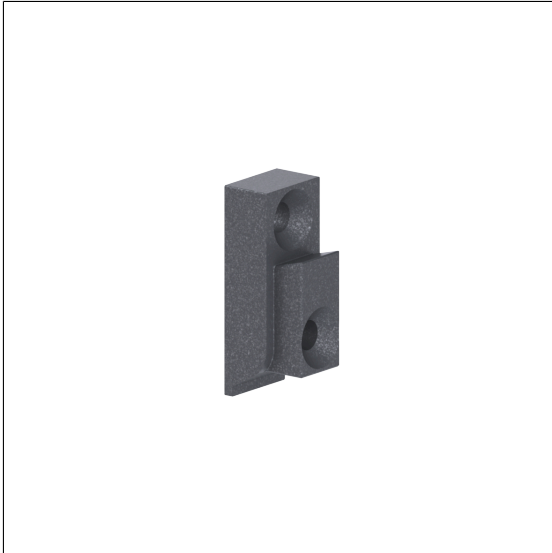


## Care Solutions · Cavere Care Accessories

Cavere Care FlexWall bracket

Article number: 7100025095

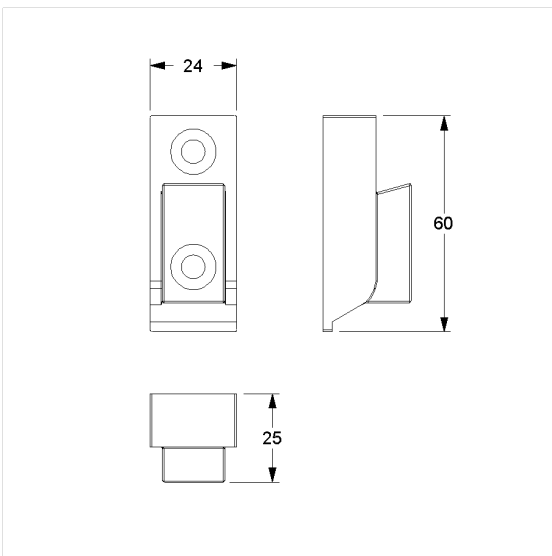
### Product image



### Technical specifications

Product group	7010
Product	FlexWall bracket
Length	24 mm
Width	60 mm
Height	25 mm
Material	aluminium
Surface	scratch-resistant powder coating with antibacterial protection (except 091 Carbon black)
Colour	available in Cavere colours

### Technical drawing



### Product description

- for retrofitting wall mounting of Caver FlexTray and CavereFlex Towel holder
- supplied with stainless steel Torx screw sØ 8 x 80 mm and plugs



Antibac

