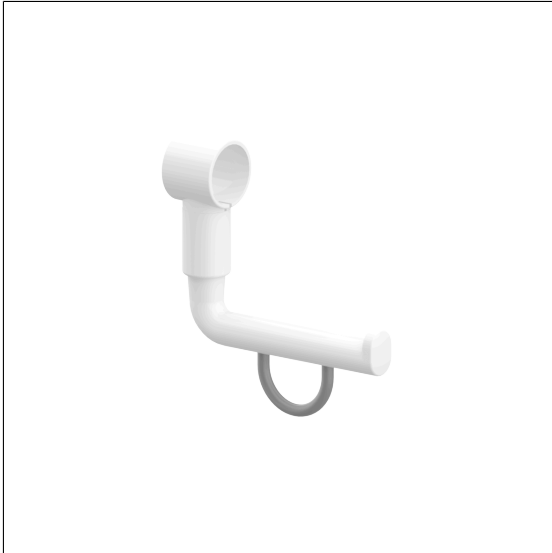


## Care Solutions · Inox Care Accessories

Inox Care Toilet roll holder,  
retrofittable

Article number: 2050300019

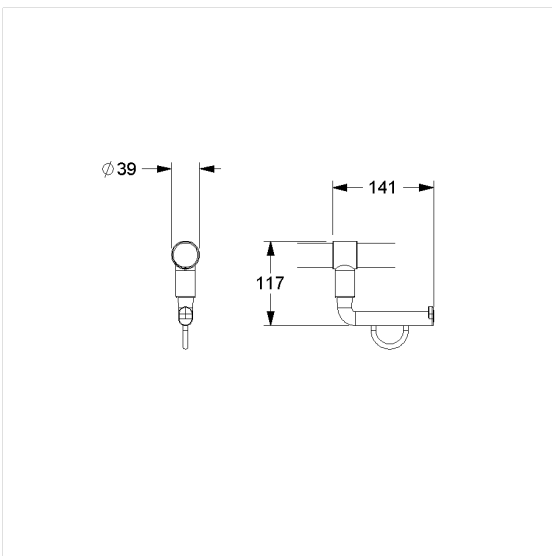
### Product image



### Technical specifications

Product group	5500
Product	Toilet roll holder, retrofittable
Length	143 mm
Width	120 mm
Height	40 mm
Diameter	34 mm
Material	polyamide
Surface	high gloss
Colour	White (019)

### Technical drawing



### Product description

- Inox Care is a durable and versatile stainless steel range that combines accessibility and hygiene in a modern design
- for Inox Care Lift-up support rails and wall-mounted support rails and grab rails
- for take on commercially available paper rolls
- supplied with fixing material

