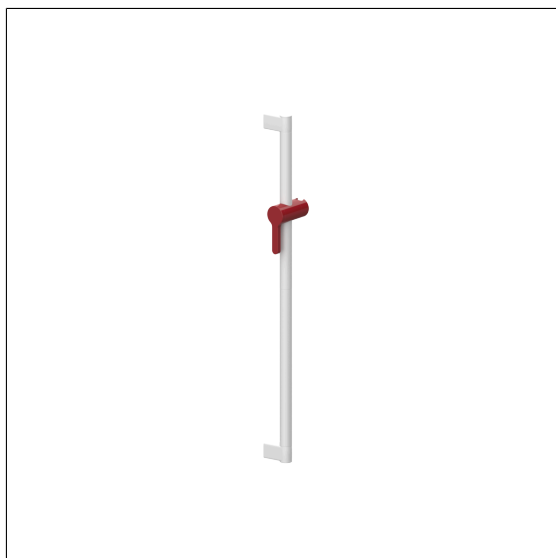


## Care Solutions - Verso Care Duo

Verso Care Duo Shower head rail

Article number: 3501213912

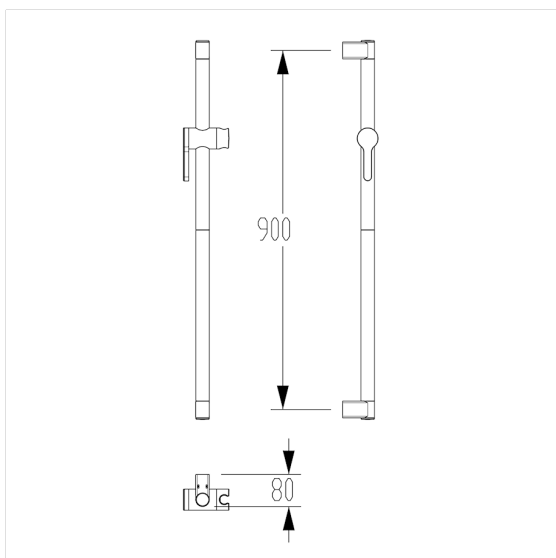
### Product image



### Technical specifications

Product group	3800
Product	Shower head rail
Fixing type	single-point mounting
Fixing points	2 Piece
Axle dimension a1	900 mm
Material	polyamide
Surface	high gloss
Diameter	34 mm
Version	left and right
Colour	Red-White (912)
Loading	max. 125 kgs

### Technical drawing



### Product description

- Verso Care Duo facilitates orientation thanks to the high-contrast color combination
- Shower head holder with easy adjustment to any height and angle, self-adjusting clamp maintenance-free
- side-mounted operating handle for one-handed operation by turning
- Shower head holder suitable for various hand shower types
- with sealing elements for sealing of the drilling points according to German standard DIN 18534-1
- single-point wall attachment with 3mm tolerance compensation (= ffl 1.5mm) for an easy and safe installation,
- concealed screw fixing
- In case of lightweight partition walls a backfill made of min. 30mm hardwood is needed
- CE-certified
- supplied with stainless steel hexagon head screws  $\varnothing 6 \times 100$  mm according to DIN 571 and dowels



912