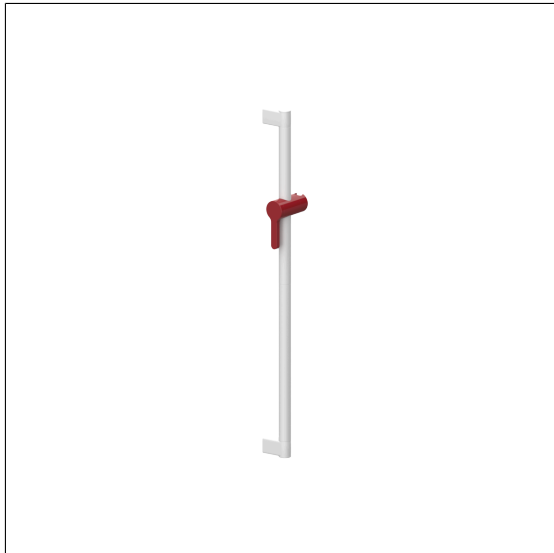


Care Solutions - Verso Care Duo

Verso Care Duo Shower head rail

Article number: 3501213912

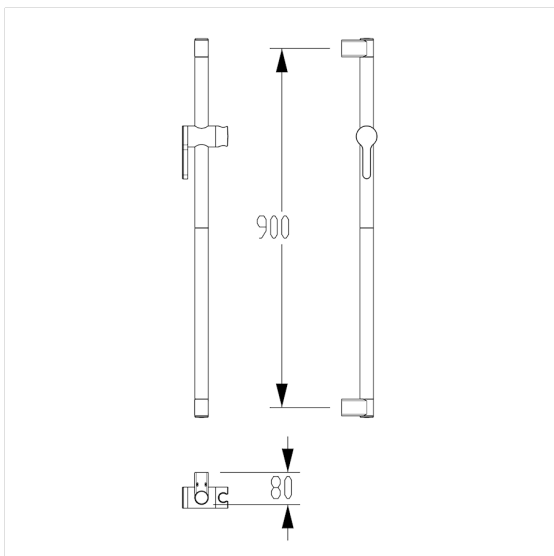
Product image



Technical specifications

| | |
|-------------------|-----------------------|
| Product group | 3800 |
| Product | Shower head rail |
| Fixing type | single-point mounting |
| Fixing points | 2 Piece |
| Axle dimension a1 | 900 mm |
| Material | polyamide |
| Surface | high gloss |
| Diameter | 34 mm |
| Version | left and right |
| Colour | Red-White (912) |
| Loading | max. 125 kgs |

Technical drawing



Product description

- Verso Care Duo facilitates orientation thanks to the high-contrast color combination
- Shower head holder with easy adjustment to any height and angle, self-adjusting clamp maintenance-free
- side-mounted operating handle for one-handed operation by turning
- Shower head holder suitable for various hand shower types
- single-point wall attachment with 3mm tolerance compensation (= ffl 1.5mm) for an easy and safe installation,
- concealed screw fixing
- In case of lightweight partition walls a backfill made of min. 30mm hardwood is needed
- CE-certified
- supplied with stainless steel hexagon head screws $\varnothing 6 \times 100$ mm according to DIN 571 and dowels



912