

## Care Solutions · Special Care Adipositas

Special Care Adipositas Grab rail

Article number: 0457300018

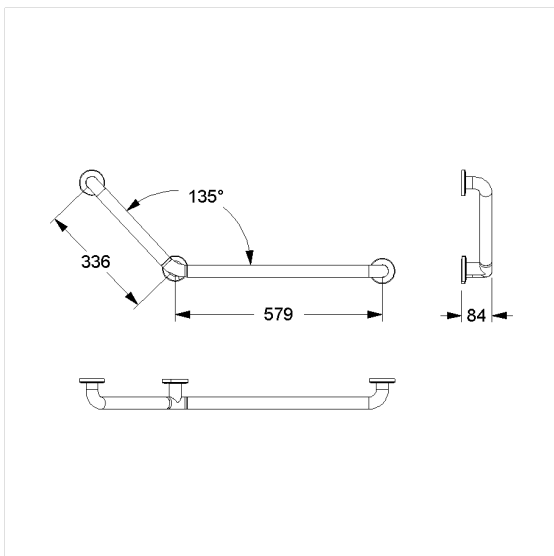
### Product image



### Technical specifications

Product group	2010
Product	Grab rail
Axle dimension a1	579 mm
Axle dimension a3	336 mm
Fixing type	rosettes mounting
Fixing points	3 Piece
Diameter	34 mm
Material	polyamide
Surface	high gloss
Colour	available in nylon colours
Version	left and right
Loading	max. 300 kgs

### Technical drawing



### Product description

- Special Care Adipositas for increased load-bearing requirements
- with non-corrosive steel core throughout
- with plastic rose  $\varnothing$  70mm for concealed screw fixing and glass fiber reinforced plastic base
- In case of lightweight partition walls a backfill made of min. 20mm hardwood is needed
- retrofitting with Toilet roll holder, optional with antibacterial protection 4300665
- for the use of rose gaskets 0300901/0300910 geeignet
- CE-certified
- meets the requirements of German standard DIN 18040 and Austrian standard ÖNORM B 1600
- supplied with stainless steel Torx screw  $s\varnothing$  6 x 70 mm and special plugs

