

Verso Care Shower handrail,
with movable shower handrail

Article number: 3500108018

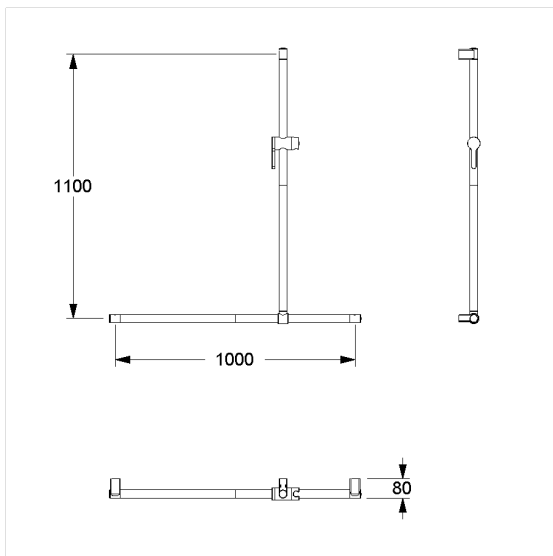
Product image



Technical specifications

| | |
|-------------------|---|
| Product group | 3800 |
| Product | Shower handrail, with movable shower handrail |
| Axle dimension a2 | 1000 mm |
| Axle dimension a3 | 1100 mm |
| Fixing type | single-point mounting |
| Fixing points | 3 Piece |
| Diameter | 34 mm |
| Material | polyamide |
| Surface | high gloss |
| Colour | available in nylon colours |
| Version | left and right |
| Loading | max. 175 kgs |

Technical drawing



Product description

- Nylon Care - a well-trying and proven product family with a wide range of variants, three product series suiting many different requirements
- with non-corrosive steel core throughout
- Shower head holder with easy adjustment to any height and angle, self-adjusting clamp maintenance-free
- side-mounted operating handle for one-handed operation by turning
- Shower head holder suitable for various hand shower types
- with sealing elements for sealing of the drilling points according to German standard DIN 18534-1
- single-point wall attachment with 3mm tolerance compensation (= ffl 1.5mm) for an easy and safe installation,
- concealed screw fixing
- In case of lightweight partition walls a backfill made of min. 30mm hardwood is needed
- produced in accordance with Regulation (EU) 2017/745 on medical devices
- CE-certified
- meets the requirements of German standard DIN 18040 and Austrian standard ÖNORM B 1600
- supplied with stainless steel hexagon head screws $\varnothing 6 \times 100$ mm according to DIN 571 and dowels

