

Care Solutions · Cavere Care

Cavere Care Lift-up support rail,
without mounting plate

Article number: 7447154095

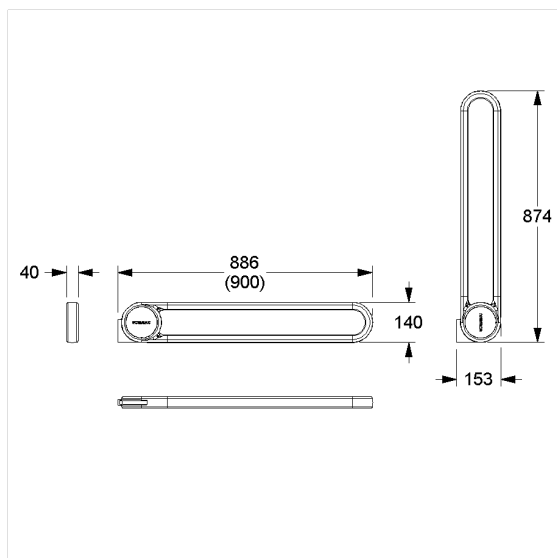
Product image



Technical specifications

Product group	7000
Product	Lift-up support rail, without mounting plate
Length	900 mm
Material	aluminium
Surface	scratch-resistant powder coating with antibacterial protection (except 091 Carbon black)
Colour	available in Cavere colours
Version	left and right
Loading	max. 100 kgs

Technical drawing



Product description

- Cavere Care as an award-winning product family with excellent design for all requirements
- ergonomic by trigonometric handle contour
- with adjustable brake
- with durable maintenance-free, friction bearings
- for fixing to the mounting plate of the backrest
- concealed screw fixing
- In case of lightweight partition walls a backfill made of min. 20mm hardwood is needed
- retrofitting with Toilet roll holder 7449110
- certified by TÜV PRODUCT SERVICE
- CE-certified
- meets the requirements of German standard DIN 18040 and Austrian standard ÖNORM B 1600
- supplied with three screws for fixation on backrest



Antibac



091 092 093 095 096