

Care Solutions · Cavere Care Chrome Accessories

Cavere Care Chrome Glass holder, with glass

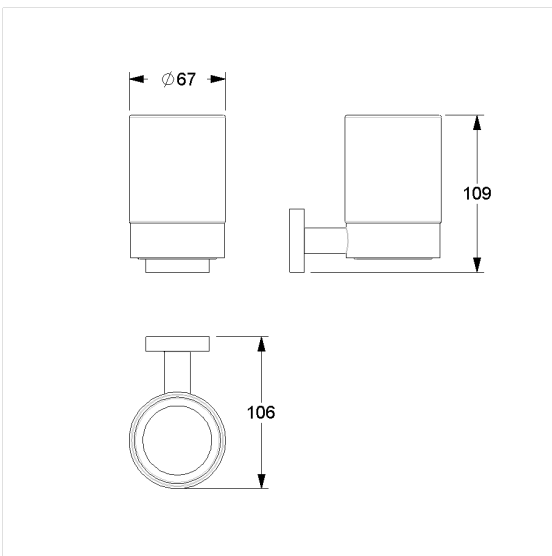
Article number: 9400450300
Product image



Technical specifications

Product group	7030
Product	Glass holder, with glass
Length	100 mm
Width	95 mm
Height	70 mm
Material	brass, glass
Surface	chrome finish, Satinised glass
Colour	Cavere Chrome (300)

Technical drawing



Product description

- Cavere Care as an award-winning product family with excellent design for all requirements
- Glass can be removed for cleaning
- plastic damping ring
- concealed screw fixing
- for wall mounting
- supplied with fixing material



300