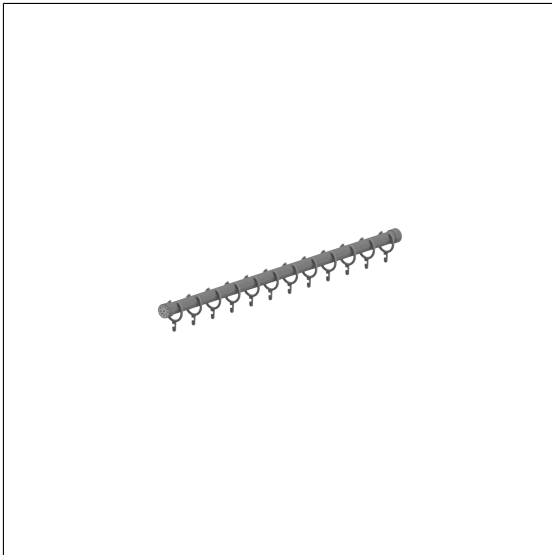


## Care Solutions - Verso Care

Verso Care Shower curtain rail,  
with curtain rings

Article number: 3501822018

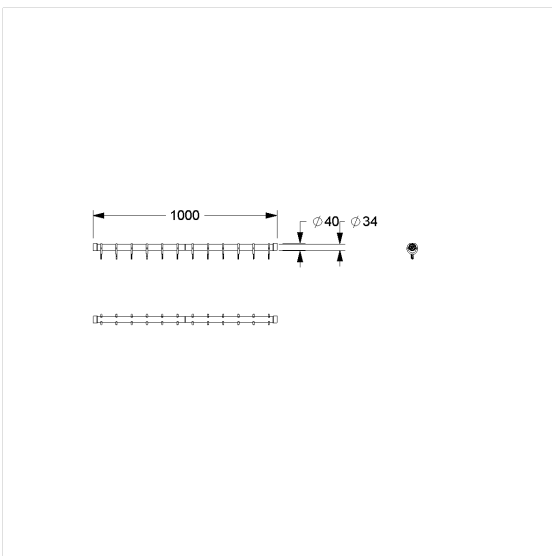
### Product image



### Technical specifications

|                   |   |
|-------------------|---|
| Product group     | 3800                                    |
| Product           | Shower curtain rail, with curtain rings |
| Form              | I-shaped                                |
| Axle dimension a1 | 1000 mm                                 |
| Material          | polyamide                               |
| Surface           | high gloss                              |
| Diameter          | 34 mm                                   |
| Colour            | available in nylon colours              |

### Technical drawing



### Product description

- Nylon Care - a well-trying and proven product family with a wide range of variants, three product series suiting many different requirements
- can be shortened (length)
- Nylon curtain rings corresponding to colour tone of the shower curtain
- Wall connection with axial fixing screw
- In case of lightweight partition walls a backfill made of min. 20mm hardwood is needed
- expandable with Care shower curtains
- supplied with stainless steel Torx screw sØ 6 x 70 mm and plugs
- upon request available in different lengths

