

## Care Solutions · Nylon Care 400

Nylon Care 400 Lift-up shower seat,  
with hygiene recess

Article number: 0844020018

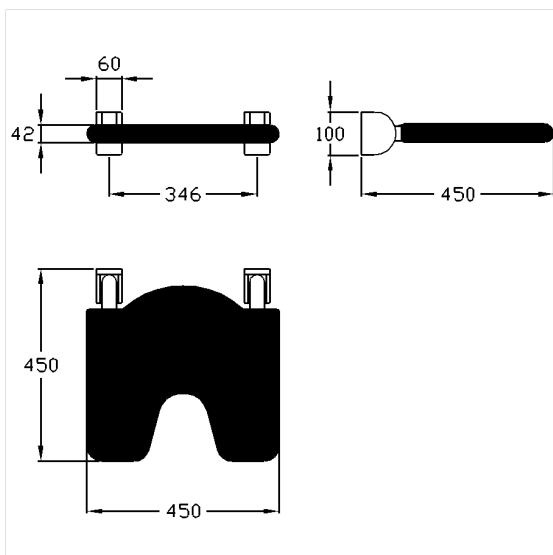
### Product image



### Technical specifications

Product group	2000
Product	Lift-up shower seat, with hygiene recess
Length	450 mm
Height	100 mm
Width	450 mm
Material	polyamide, padded made of PUR integral foam
Surface	high gloss
Colour	available in nylon colours, padded, colour black
Loading	max. 175 kgs

### Technical drawing



### Product description

- Nylon Care - a well-tried and proven product family with a wide range of variants, three product series suiting many different requirements
- Pad with non-corrosive steel core throughout
- steel reinforced hinges
- with adjustable brake
- locked in place in vertical position
- concealed screw fixing
- In case of lightweight partition walls a backfill made of min. 20mm hardwood is needed
- Fixing set has to be determined according to conditions on site, is to be ordered separately

