

Care Solutions · Cavere Care Chrome

Cavere Care Chrome Lift-up support rail vario,
with 2 E-buttons

Article number: 9447885395

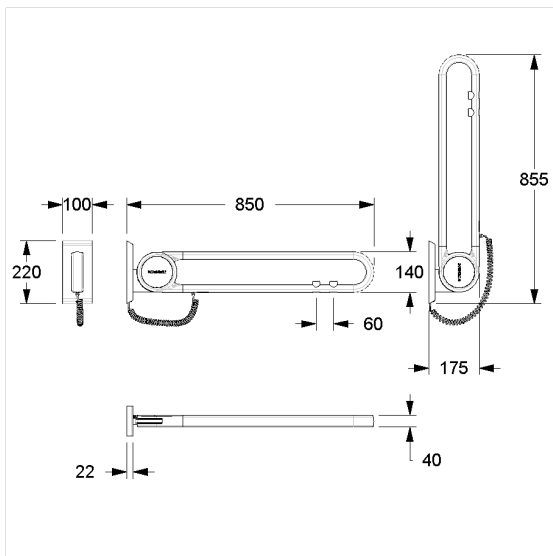
Product image



Technical specifications

Product group	7000
Product	Lift-up support rail, with 2 E-buttons
wall connection E-Button	connection covered with mounting plate
Function of electric button	WC and call: NOC and NCC
System	vario, with base plate
Length	850 mm
Material	aluminium, base plate, made of stainless steel
Surface	chrome finish grip profile, scratchproof antibacterial powdercoated brackets
Colour	available in colours Chrome white (392) and Chrome metallic anthracite (395)
Version	left and right
Loading	max. 100 kgs

Technical drawing



Product description

- Cavere Care as an award-winning product family with excellent design for all requirements
- ergonomic by trigonometric handle contour
- with adjustable brake
- with durable maintenance-free, friction bearings
- 1 E-Button / 2 E-Buttons
for WC-flush in blue,
for call in red,
for free definable options in black,
four lead 0,25 mm² dia. black helix cable suitable for up to 24 V D.C., and free cable end for wall fastening, E-Button standard configuration »normally open contact« also available in configuration »normally closed contact«
- easy installation or removing by connecting / disconnecting to base plate
- concealed screw fixing
- In case of lightweight partition walls a backfill made of min. 20mm hardwood is needed
- retrofitting with Toilet roll holder 7449110
- certified by TÜV PRODUCT SERVICE
- CE-certified
- meets the requirements of German standard DIN 18040 and Austrian standard ÖNORM B 1600
- Fixing set has to be determined according to conditions on site, is to be ordered separately



Vario



392 395