

## Care Solutions · Cavere Care

Cavere Care Shower head holder

Article number: 7485050092

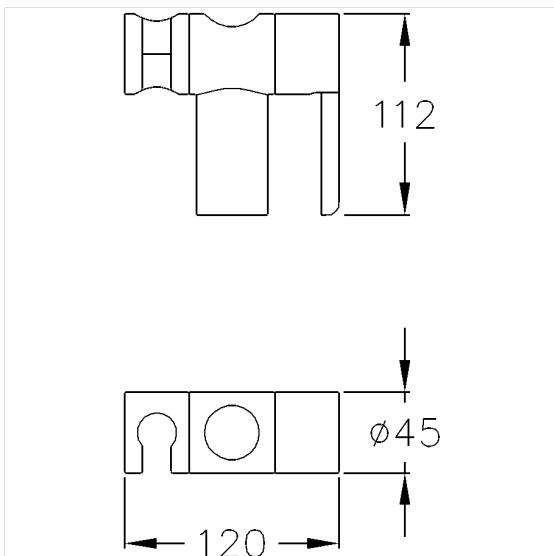
### Product image



### Technical specifications

Product group	7000
Product	Shower head holder
Length	120 mm
Width	45 mm
Height	112 mm
Material	aluminium
Surface	scratch-resistant powder coating with antibacterial protection (except 091 Carbon black)
Colour	available in Cavere colours
Version	left and right

### Technical drawing



### Product description

- Cavere Care as an award-winning product family with excellent design for all requirements
- for fixing on Cavere Care shower rails
- Shower head holder with easy adjustment to any height and angle, self-adjusting clamp maintenance-free
- side-mounted operating handle for one-handed operation without turning,
- Shower head holder with plastic insert, suitable for various hand shower types



Antibac

