

Care Solutions · Cavere Care

Cavere Care Shower head holder,
horizontal

Article number: 7485030091

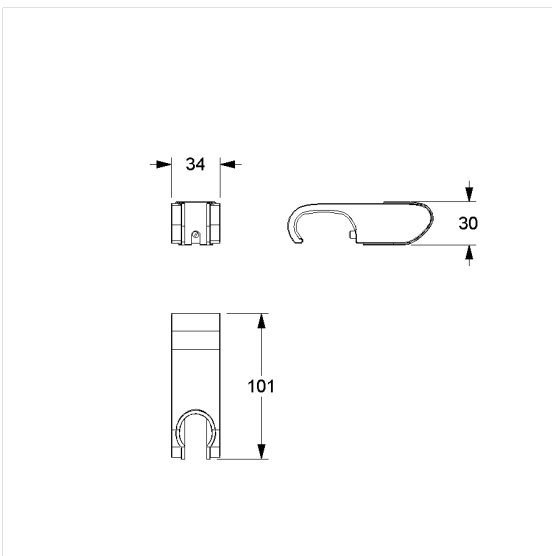
Product image



Technical specifications

Product group	7000
Product	Shower head holder, horizontal
Length	100 mm
Width	35 mm
Height	30 mm
Material	aluminium
Surface	scratch-resistant powder coating with antibacterial protection (except 091 Carbon black)
Colour	available in Cavere colours

Technical drawing



Product description

- Cavere Care as an award-winning product family with excellent design for all requirements
- for clipping on Cavere Care Shower handrails
- maintenance-free
- Shower head holder with plastic insert, suitable for various hand shower types

