

Care Solutions · Cavere Care

Cavere Care Hanging seat,
with hygiene recess

Article number: 7847455091

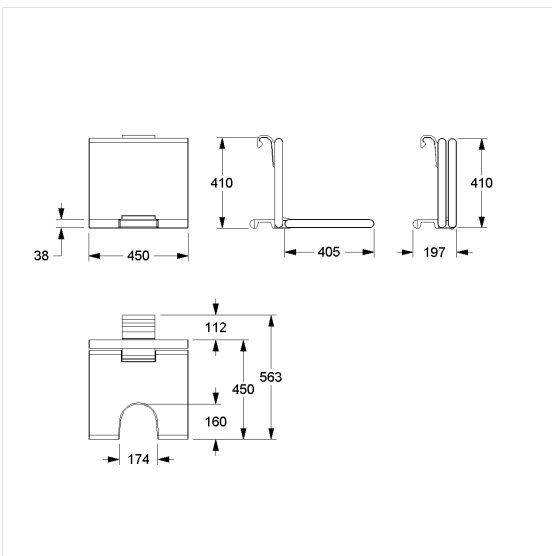
Product image



Technical specifications

Product group	7000
Product	Hanging seat, with hygiene recess
Length	450 mm
Height	420 mm
Width	563 mm
Material	aluminium, padded made of PUR integral foam
Surface	scratch-resistant powder coating with antibacterial protection (except 091 Carbon black)
Colour	available in Cavere colours, padded colour anthracite
Loading	max. 150 kgs

Technical drawing



Product description

- Cavere Care as an award-winning product family with excellent design for all requirements
- for hanging in Cavere Care Shower handrails
- with adjustable brake
- locked in place in vertical position
- Pad with non-corrosive metal core throughout,
- for top edge of shower handrail 850mm the seat height corresponds 480 mm (DIN18040 und ÖNORM B1600)
- retrofittable with armrest 7843100

