

Inox Care Backrest

Article number: 2050522008

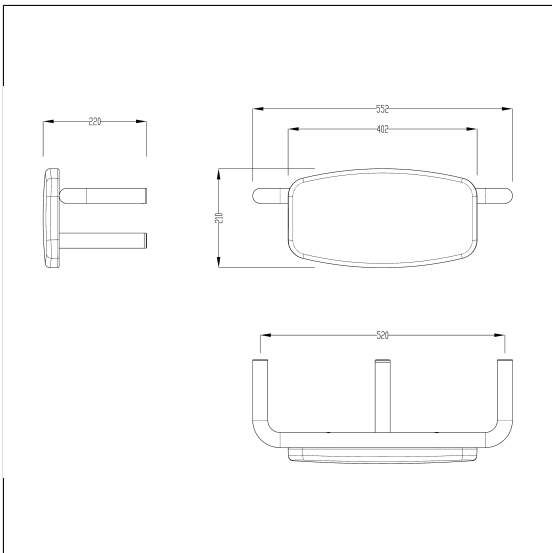
Product image



Technical specifications

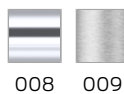
Product group	5500
Product	Backrest
Length	520 mm
Width	210 mm
Height	220 mm
Diameter	32 mm
Material	stainless steel, material No. 1.4301 (A2, AISI 304), padded made of PUR integral foam
Surface	high gloss
Colour	available in Mirror polished (008) and Satin (009), padded, colour black

Technical drawing



Product description

- Inox Care is a durable and versatile stainless steel range that combines accessibility and hygiene in a modern design
- without rosettes
- concealed screw fixing
- with grub screw from bottom
- meets the requirements of German standard DIN 18040 and Austrian standard ÖNORM B 1600
- supplied with suitable fixing material for front-wall installation



008 009