

Care Solutions · Inox Care Accessories

Inox Care Spare toilet roll holder,
for one roll

Article number: 2290057009

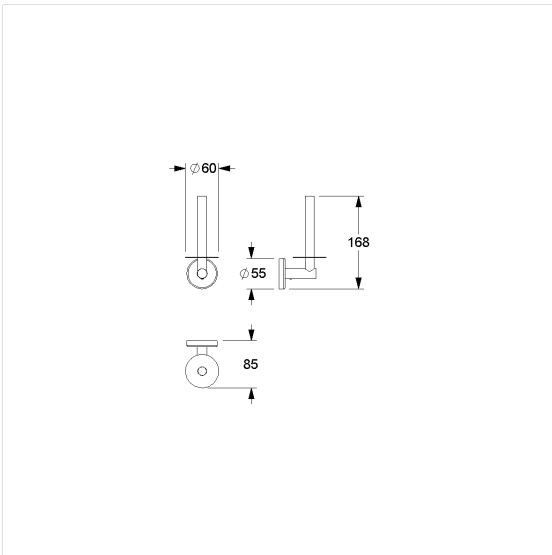
Product image



Technical specifications

Product group	5600
Product	Spare toilet roll holder, for one roll
Length	86 mm
Width	144 mm
Height	60 mm
Material	stainless steel, material No. 1.4301 (A2, AISI 304)
Surface	brushed finish
Colour	Stainless steel (009)

Technical drawing



Product description

- Inox Care as a robust and timeless classic with bacteriostatic properties
- for take on commercially available paper rolls
- for wall mounting
- concealed screw fixing
- supplied with fixing material



009