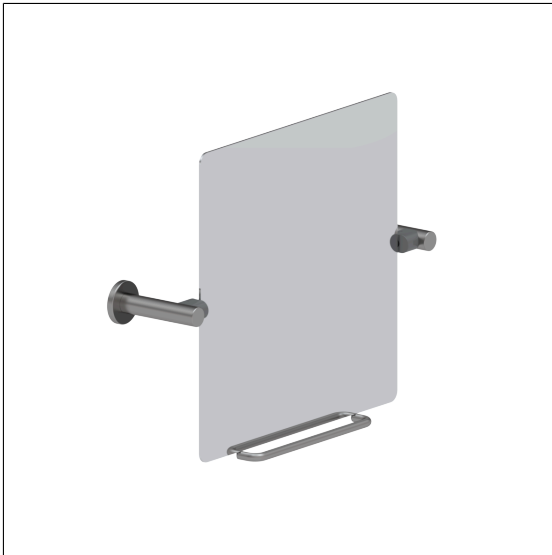


Inox Care Hygiene bag dispenser

Article number: 2956110009

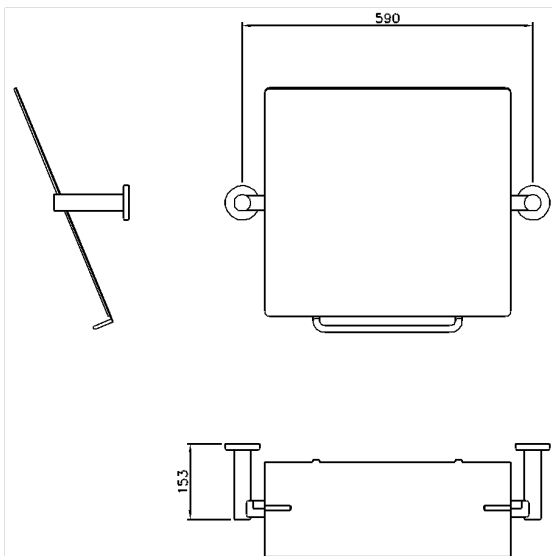
Product image



Technical specifications

Product group	5500
Product	Hygiene bag dispenser
Length	660 mm
Width	500 mm
Height	153 mm
Glass thickness	4 mm
Material	stainless steel, material No. 1.4301 (A2, AISI 304), mirror made of crystal glass
Surface	brushed finish
Colour	Stainless steel (009)

Technical drawing



Product description

- Inox Care as a robust and timeless classic with bacteriostatic properties
- mirror 500 x 500mm with cut edges and rounded corners, mounted on steel base plate
- adjustable up to 25° with operating handle
- adjustable tilting action
- with stainless steel roses \varnothing 70mm for concealed screw fixing
- retrofitting with Care mirror lamp 0300669 und 0300666
- retrofitting with Inox Care operating handle 2956450
- supplied with stainless steel Torx screw $s\varnothing$ 6 x 70 mm and plugs



009