

## Care Solutions · Cavere Care Chrome

Cavere Care Chrome Lift-up support rail,  
without mounting plate

Article number: 9447153395

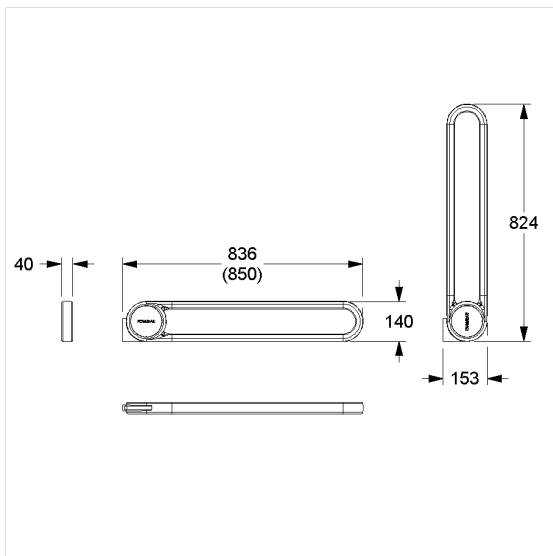
### Product image



### Technical specifications

Product group	7000
Product	Lift-up support rail, without mounting plate
Length	850 mm
Material	aluminium
Surface	chrome finish grip profile
Colour	available in colours Chrome white (392) and Chrome metallic anthracite (395)
Version	left and right
Loading	max. 100 kgs

### Technical drawing



### Product description

- Cavere Care as an award-winning product family with excellent design for all requirements
- ergonomic by trigonometric handle contour
- with adjustable brake
- with durable maintenance-free, friction bearings
- for fixing to the mounting plate of the backrest
- In case of lightweight partition walls a backfill made of min. 20mm hardwood is needed
- certified by TÜV PRODUCT SERVICE
- produced in accordance with Regulation (EU) 2017/745 on medical devices
- CE-certified
- meets the requirements of German standard DIN 18040 and Austrian standard ÖNORM B 1600



392 395