

## Care Solutions · Modular Seating Solution

Ascento Hanging seat,  
with backrest and armrests

Article number: 8750025151

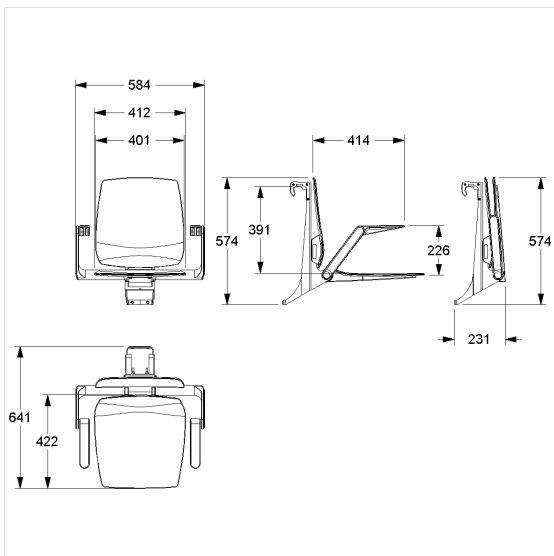
### Product image



### Technical specifications

|                |  |
|----------------|--|
| Product group  | 8700   |
| Product        | Hanging seat, with backrest and armrests                               |
| Compatible for | for Cavere Care  |
| Length         | 584 mm   |
| Height         | 574 mm   |
| Width          | 640 mm   |
| Material       | Polypropylene, support bracket and suspension device made of aluminium |
| Surface        | matt   |
| Colour         | available in Ascento colours   |
| Loading        | max. 150 kgs   |

### Technical drawing



### Product description

- Ascento as Modular Seating Solution, expandible and combinable
- for hanging in Cavere Care Shower handrails
- ergonomic formed seat and backrest with rounded outer edges
- with adjustable brake
- locked in place in vertical position
- for top edge of shower handrail 850mm the seat height corresponds 460 mm (DIN18040 und ÖNORM B1600)
- concealed screw fixing

