

Care Solutions · Cavere Care Accessories

Cavere Care Toilet roll holder,
for Lift-up support rails and Wall support rails, retrofittable

Article number: 7449110095

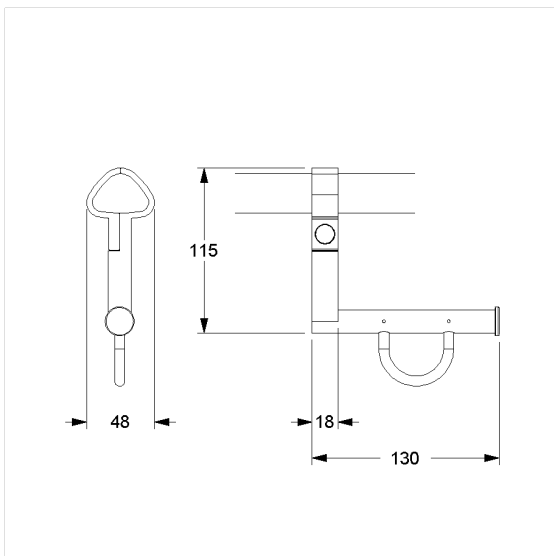
Product image



Technical specifications

| | |
|---------------|------------------------------------------------------------------------------------------|
| Product group | 7000 |
| Product | Toilet roll holder, for Lift-up support rails and Wall support rails, retrofittable |
| Length | 130 mm |
| Width | 48 mm |
| Height | 115 mm |
| Material | aluminium |
| Surface | scratch-resistant powder coating with antibacterial protection (except 091 Carbon black) |
| Colour | available in Cavere colours |

Technical drawing



Product description

- Cavere Care as an award-winning product family with excellent design for all requirements
- for Cavere Care Lift-up support rails and wall-mounted support rails
- for take on commercially available paper rolls
- with maintenance-free roll brake
- supplied with fixing material



Antibac



091 092 093 095 096