

Care Solutions · Cavere Care Accessories

Cavere Care Shower box,
with clamping device

Article number: 7515210016

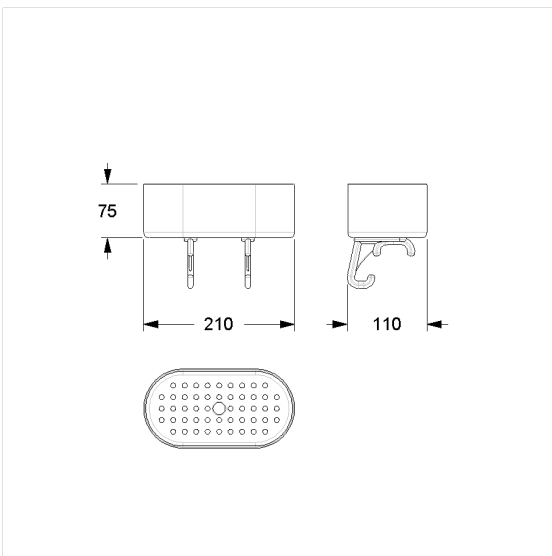
Product image



Technical specifications

Product group	7010
Product	Shower box, with clamping device
Length	210 mm
Width	110 mm
Height	75 mm
Storage space	200 cm ²
Material	polyamide
Surface	high gloss with antibacterial protection
Colour	available in colours Black (016), Dark grey (018), White (019) and Manhattan (067)

Technical drawing



Product description

- Cavere Care as an award-winning product family with excellent design for all requirements
- for clipping on Cavere Care Shower handrails
- the shower box bottom has a structured non-slip surface as well as a drain hole



Antibac

