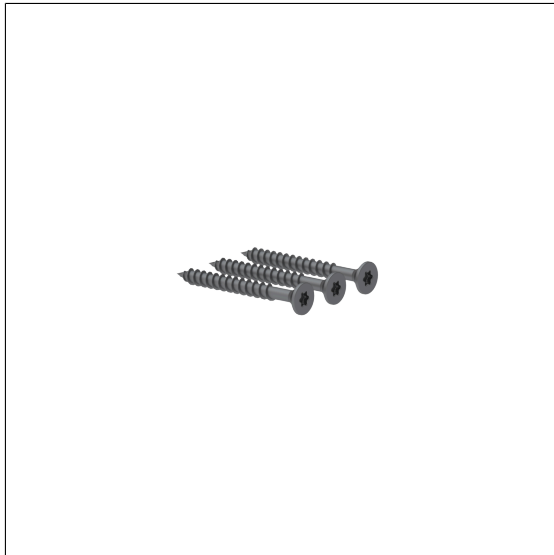


Care Fixing set

Article number: 0447750000

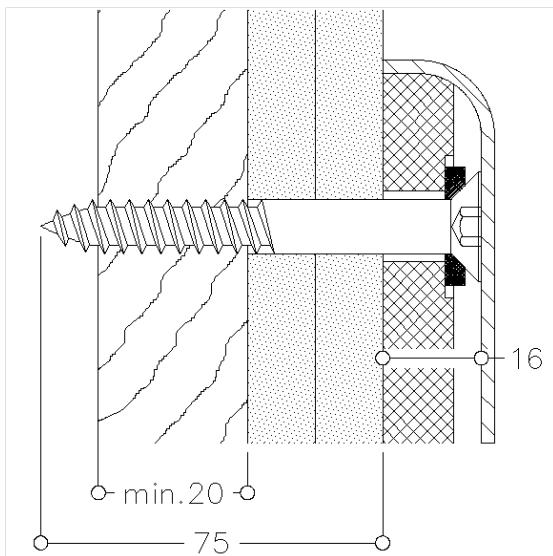
Product image



Technical specifications

Product group	2000
Product	Fixing set
Short name	MS 4.9 C 3
Material	polyamide
Type of wall	In front of the wall with panels and integrated mounting plate made of hardwood. Lightweight partition walls, made of gypsum, flake board and hardboard with a multilayer laminated wood back lining measuring at least 20mm thick, which must be adequately fixed to the supporting structure.
Material & scope of delivery	3 x countersunk wood screws Ø 10 x 90 T40, A2-AISI 304
Colour	Colourless (000)

Technical drawing



Product description

- suitable for:
 - Nylon Care 300 wall-/lift-up support rail, Mounting plate for lift-up shower seat and shower guard rail
 - Nylon Care 400 wall-/lift-up support rail, shower guard rail and Mounting plate for lift-up shower seat
 - Special Care Adipositas: lift-up support rail
- installation has to be carried out by professionals



000