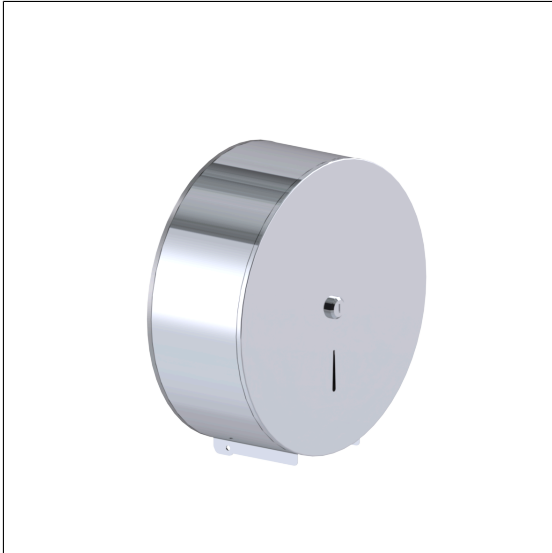


Care Solutions · Inox Care Accessories

Inox Care Toilet paper dispenser

Article number: 2291626008

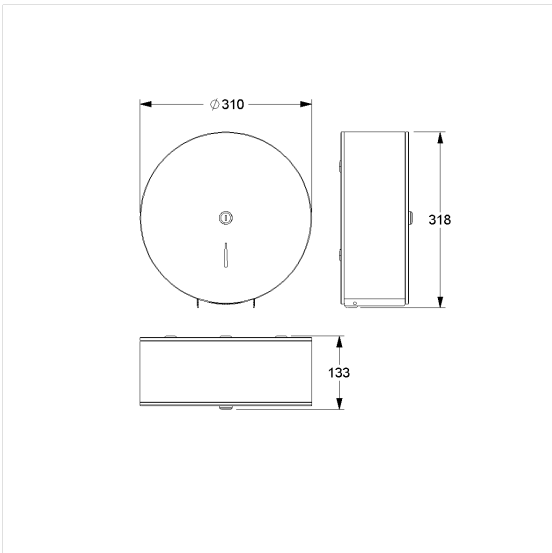
Product image



Technical specifications

Product group	5600
Product	Toilet paper dispenser
Length	133 mm
Width	310 mm
Height	318 mm
Material	stainless steel, material No. 1.4401 (A4, AISI 316)
Surface	high gloss
Colour	available in Mirror polished (008), Satin (009) and White (019)

Technical drawing



Product description

- Inox Care is a durable and versatile stainless steel range that combines accessibility and hygiene in a modern design
- for take on toilet paper rolls with a max. Ø 30 cm
- with maintenance-free roll brake
- with indication of toilet paper stock
- lockable "One Key System" (one single key for all toilet paper dispensers)
- keys inclusive
- for wall mounting
- supplied with fixing material

